

103

TECHNICAL BOOK



TECHNICAL DATA

Max dynamic moment	3210
--------------------	------

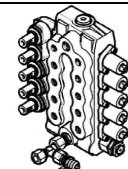
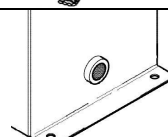
	Versione	Q _{max}
Max load (lbs)	2S	1873.92
	3S	1763.67

	Versione	103
Crane weight (lbs)	2S	959
	3S	1025

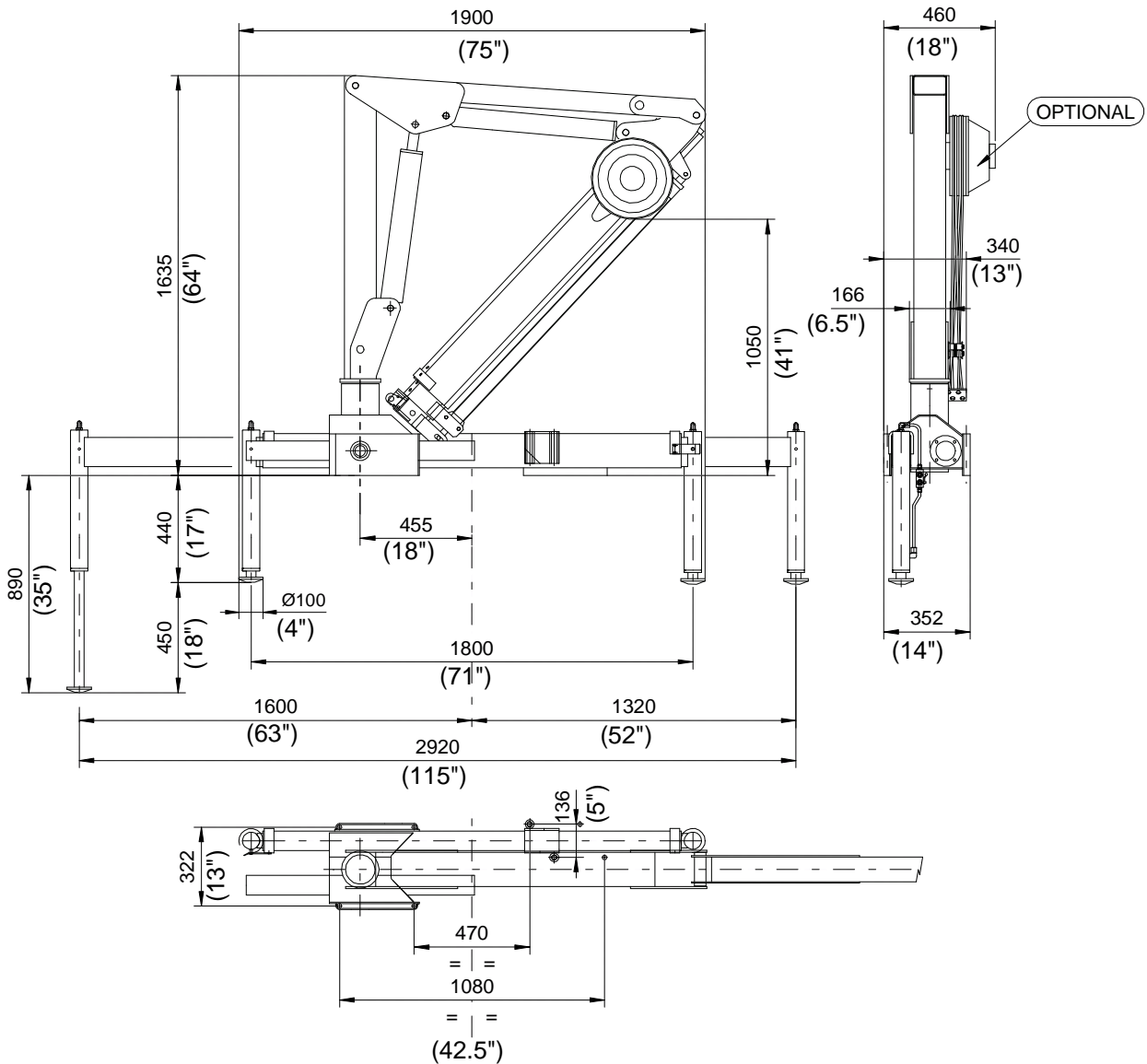
Weight of mounting bolts (optional) [lbs]	33
---	----

Weight of oil tank (loose supplied) [lbs]	22
---	----

Max force on the stabilizer leg	2200 daN
Max standard stabilizer pressure on the ground NO CE Ø100	28.0 daN/cm ²
Max standard stabilizer pressure on the ground CE Ø110	23.2 daN/cm ²
Max working pressure	205 bar
Max oil flow	10 l/min
Oil tank capacity	17.5 l
Slewing moment	390 daNm
Slewing angle	370°
Absorbed power	3.7 kW 4.9 HP
Design standard	DIN 15018 EN 12999

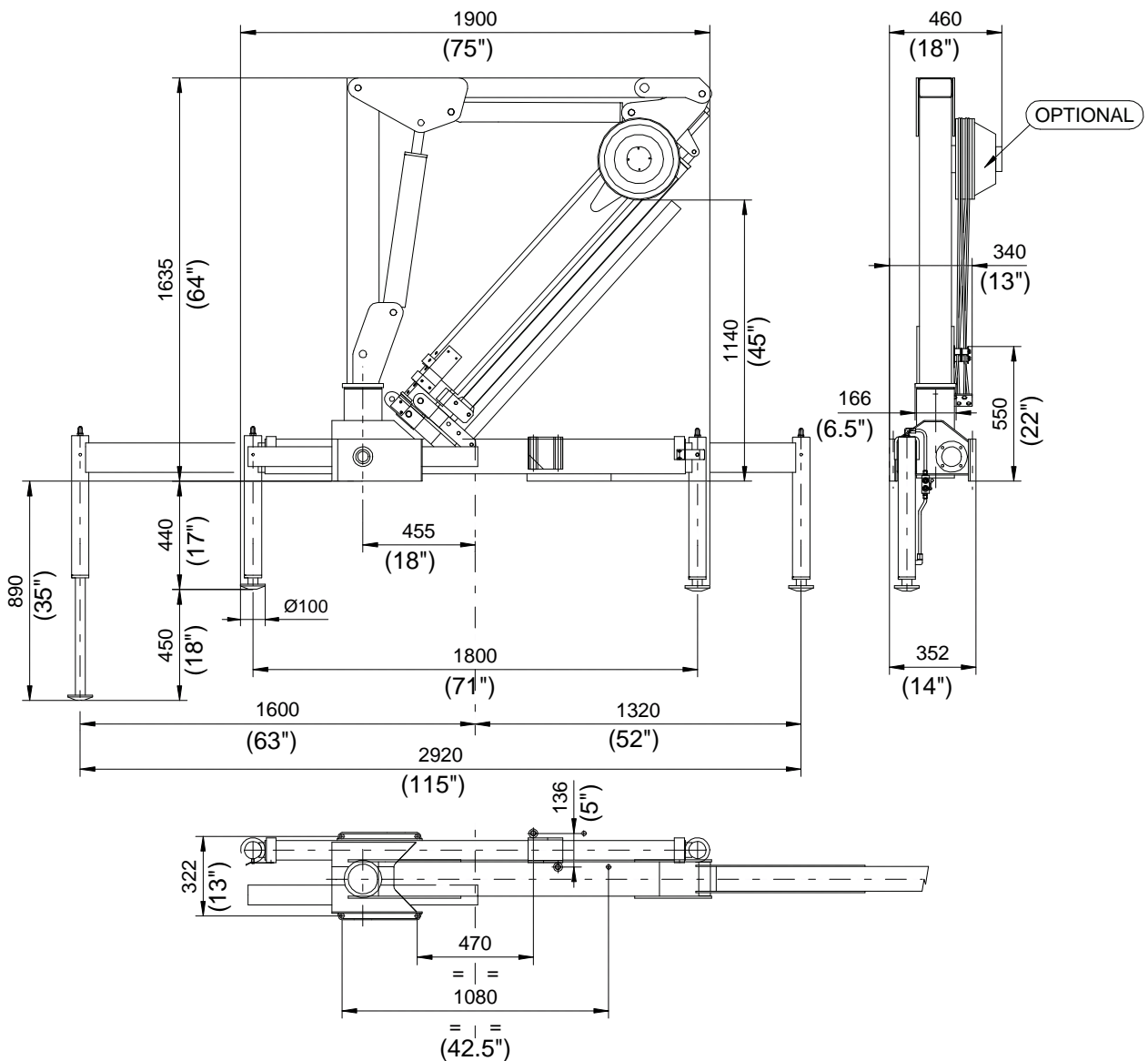
Fittings for connection with pump		NO RDC
Control valve pressure line		DIN LI 16X1.5-10-10
Tank suction line		F1/2" BSP

OVERALL DIMENSIONS (NO CE STABILIZERS)
103 2S

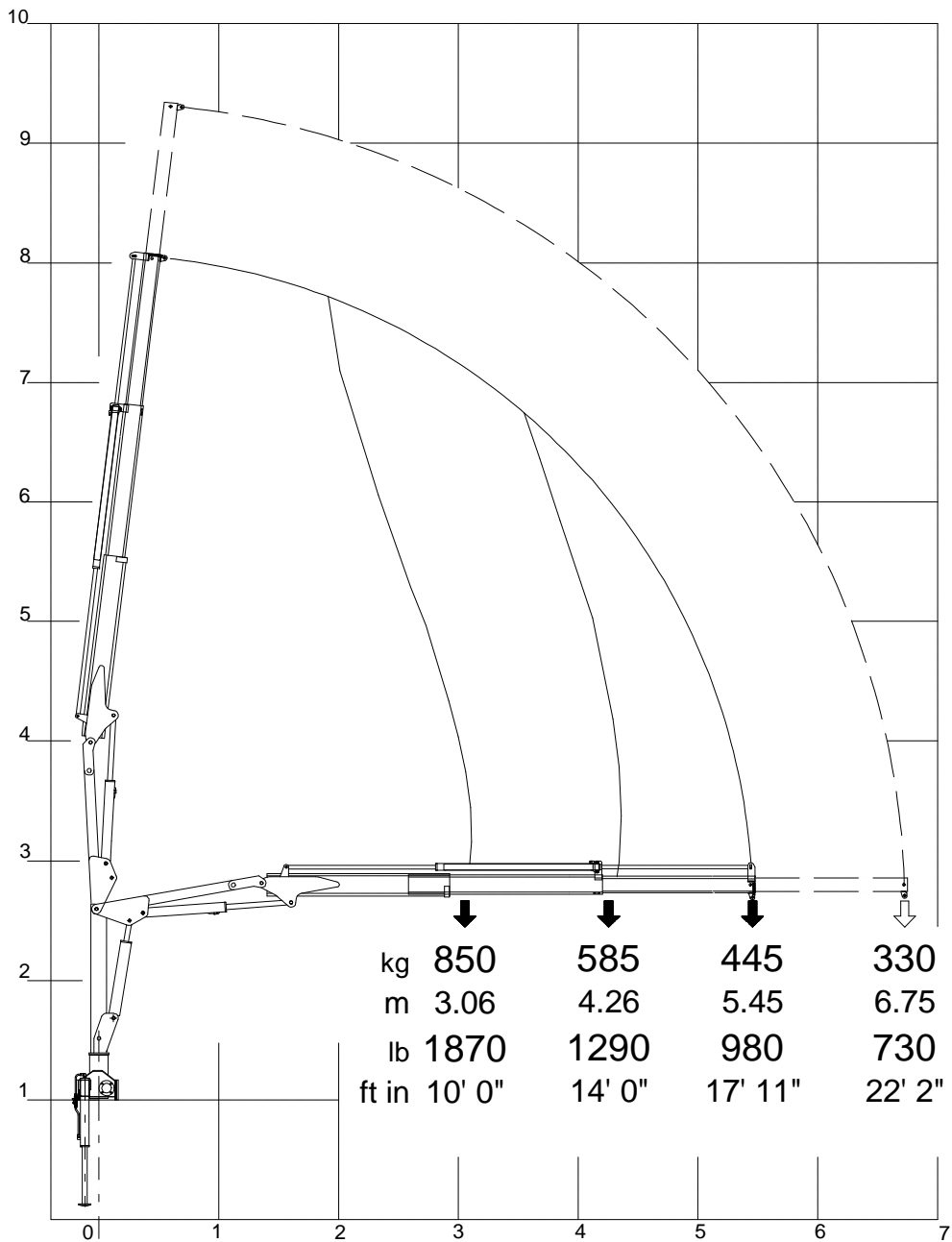


OVERALL DIMENSIONS (NO CE STABILIZERS)

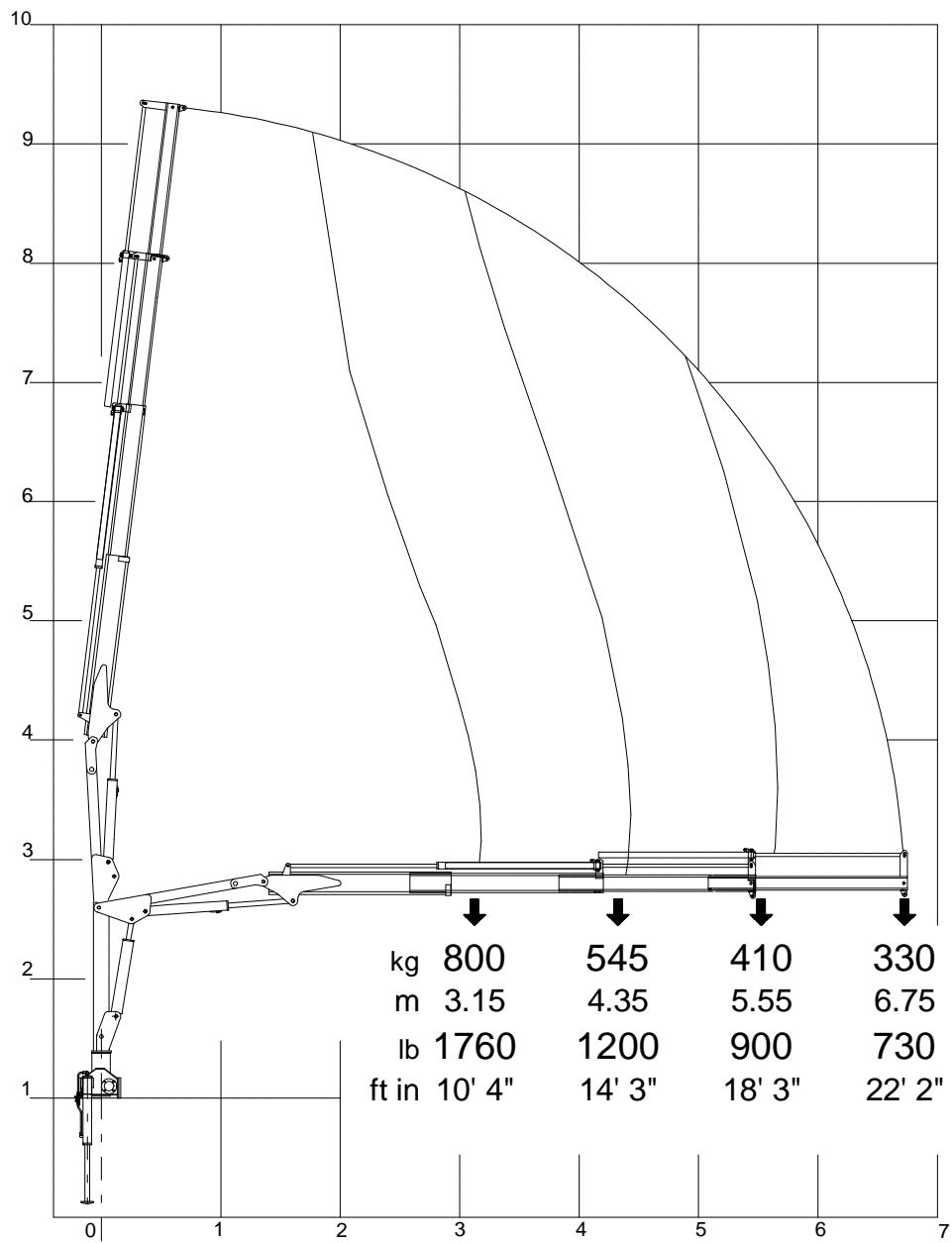
103 3S



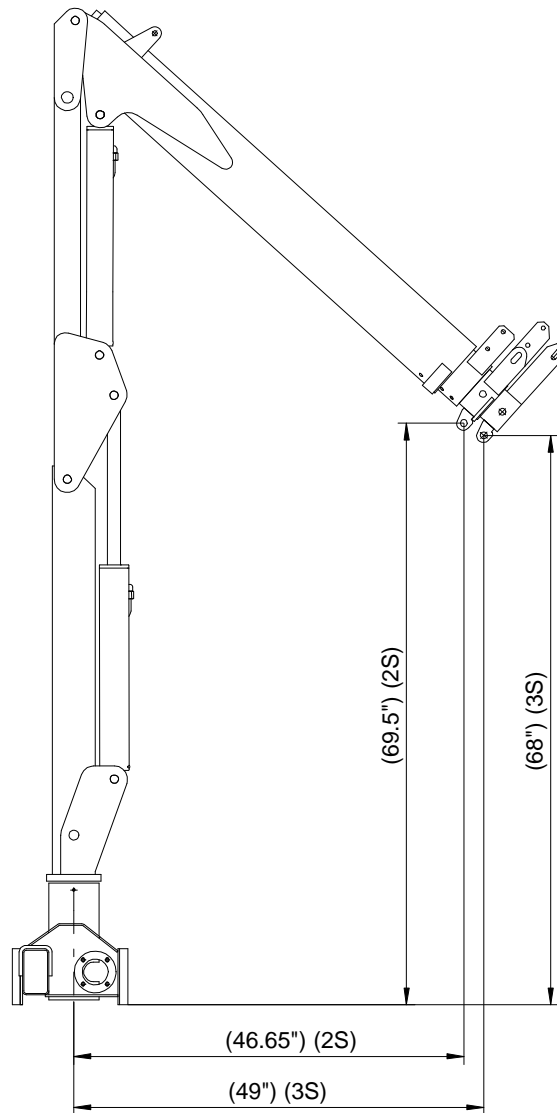
LOAD DIAGRAM 103 2S



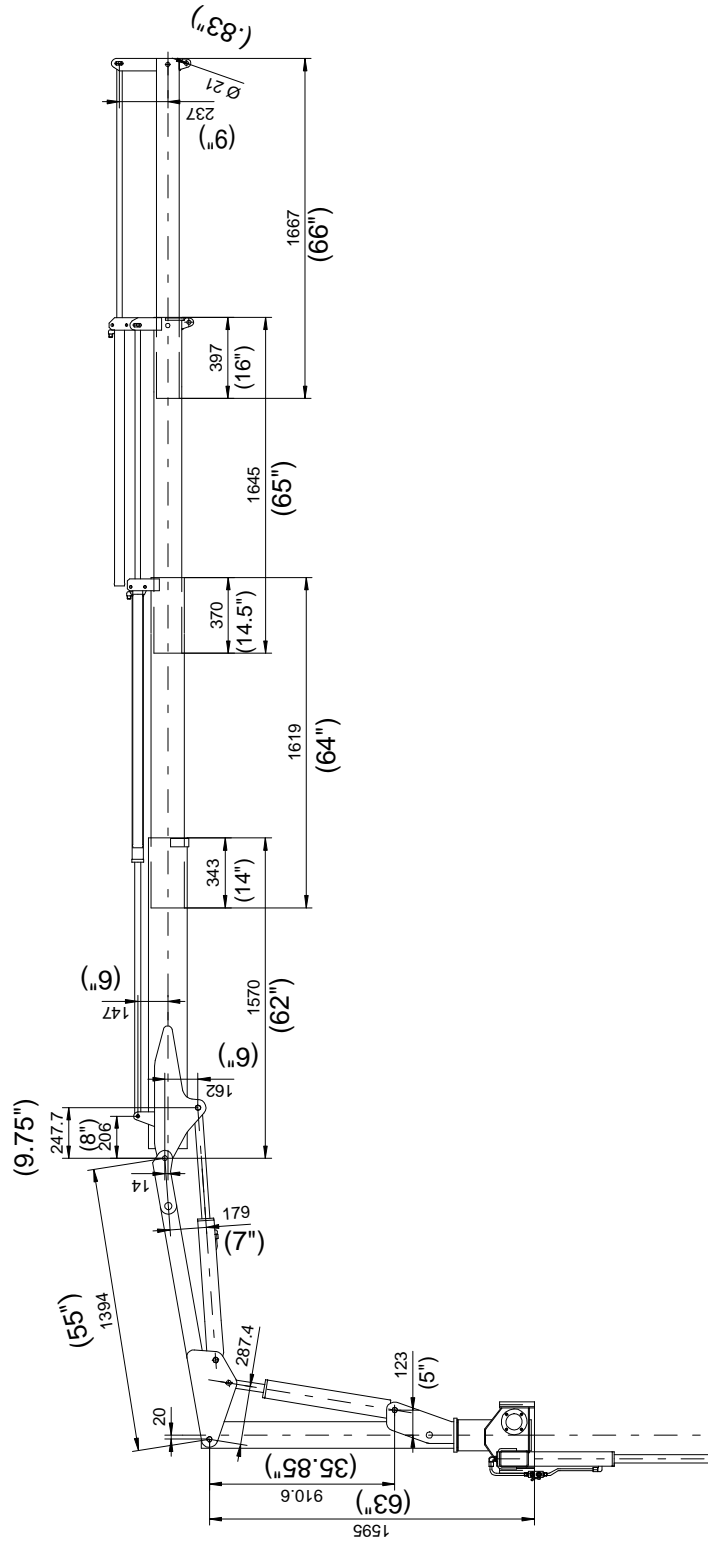
LOAD DIAGRAM 103 3S



HOOK HEIGHT



COLUMN - BOOM - DIMENSIONS



CYLINDERS DIMENSIONS

LIFTING CYLINDER

<i>Cylinder bore</i>	80
<i>Cyl. ext. diameter</i>	90
<i>Rod diameter</i>	40 - 0
<i>Pitch (open)</i>	1165
<i>Pitch (closed)</i>	700
<i>Stroke</i>	465
<i>Fittings</i>	1/4" G
<i>Artic. pin Ø</i>	25
<i>Pin steel</i>	42CrMo4 BNF

ARTICULATION CYLINDER

<i>Cylinder bore</i>	70
<i>Cyl. ext. diameter</i>	80
<i>Rod diameter</i>	40 - 0
<i>Pitch (open)</i>	1241
<i>Pitch (closed)</i>	731
<i>Stroke</i>	510
<i>Fittings</i>	1/4" G
<i>Fixing pin Ø</i>	25
<i>Pin steel</i>	42CrMo4 BNF

1ST EXTENSION CYL.

<i>Cylinder bore</i>	45
<i>Cyl. ext. diameter</i>	55
<i>Rod diameter</i>	30 - 0
<i>Pitch (open)</i>	2604
<i>Pitch (closed)</i>	1404
<i>Stroke</i>	1200
<i>Fittings</i>	1/4" G
<i>Artic. pin Ø</i>	15
<i>Pin steel</i>	42CrMo4 BNF

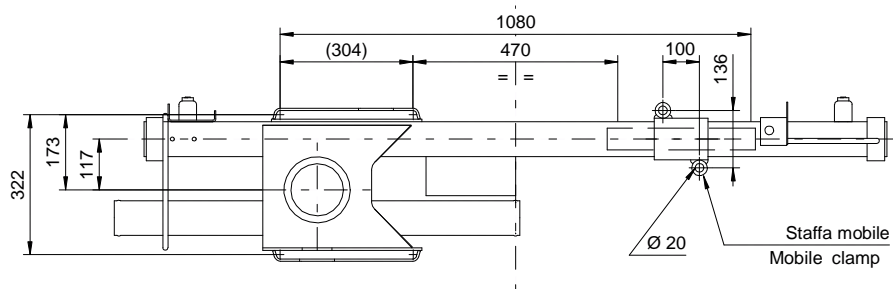
2ND - 3RD EXTENSION CYL.

<i>Cylinder bore</i>	40
<i>Cyl. ext. diameter</i>	50
<i>Rod diameter</i>	25 - 0
<i>Pitch (open)</i>	1283
<i>Pitch (closed)</i>	83
<i>Stroke</i>	1200
<i>Fittings</i>	1/4" G
<i>Fixing pin Ø</i>	15
<i>Pin steel</i>	42CrMo4 BNF

ROTATION CYLINDER

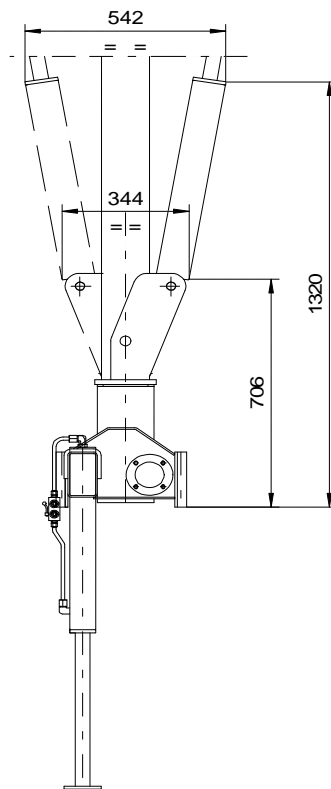
<i>Cylinder bore</i>	70
<i>Cyl. ext. diameter</i>	80
<i>Rod diameter</i>	-
<i>Pitch (open)</i>	-
<i>Pitch (closed)</i>	-
<i>Stroke</i>	330
<i>Fittings</i>	-
<i>Fixing pin Ø</i>	-
<i>Pin steel</i>	-

BASE DIMENSIONS, TIE RODS & ROTATION SCREWS

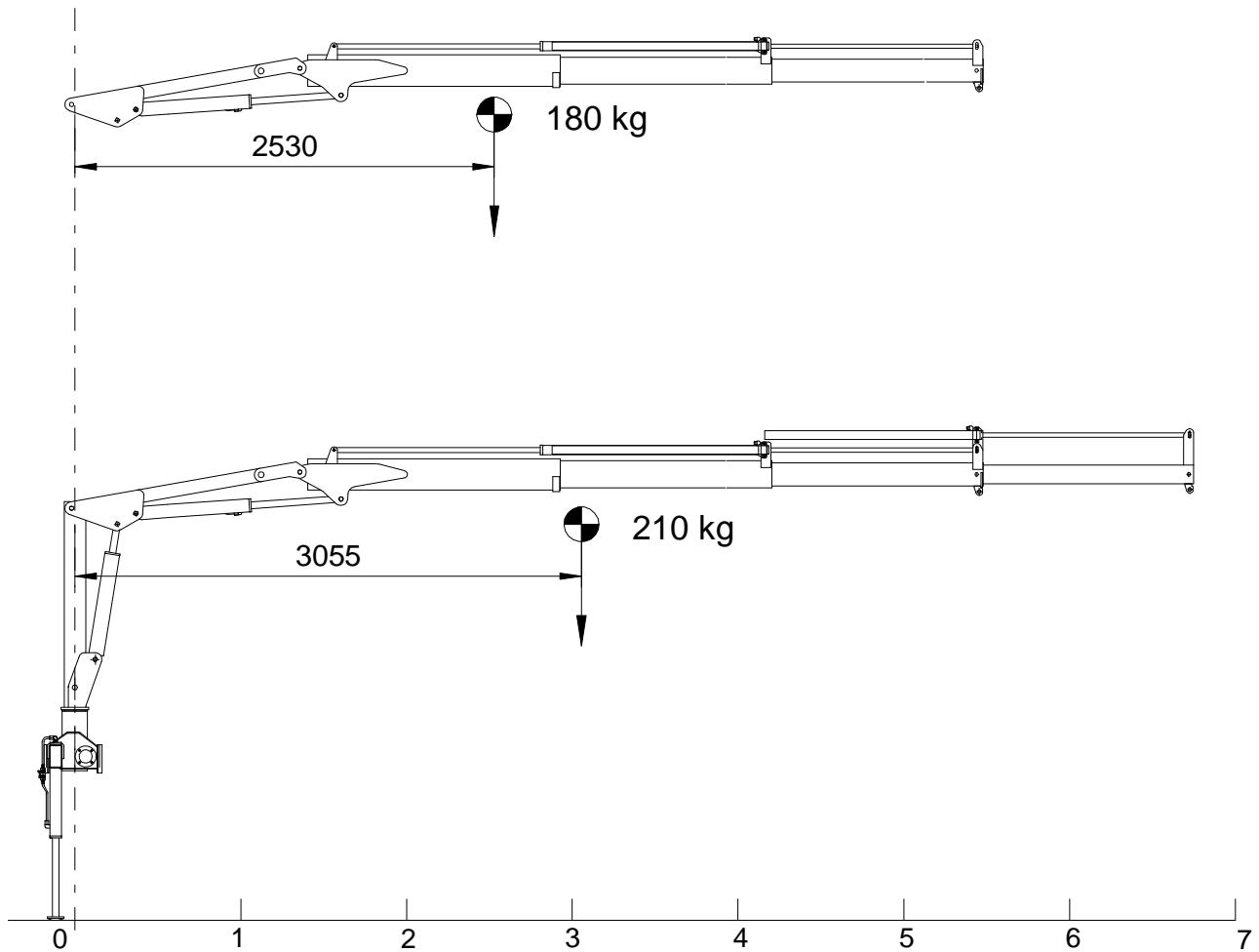


Crane mounting bolts	N°6 M18x1.5 42CrMo4
Fixing bolts for 1 rotation cylinder	N°4 M12x35 8.8 UNI 5931 Coppia di serraggio (Tightening torque) 50 Nm

OVERALL ROTATION DIMENSIONS

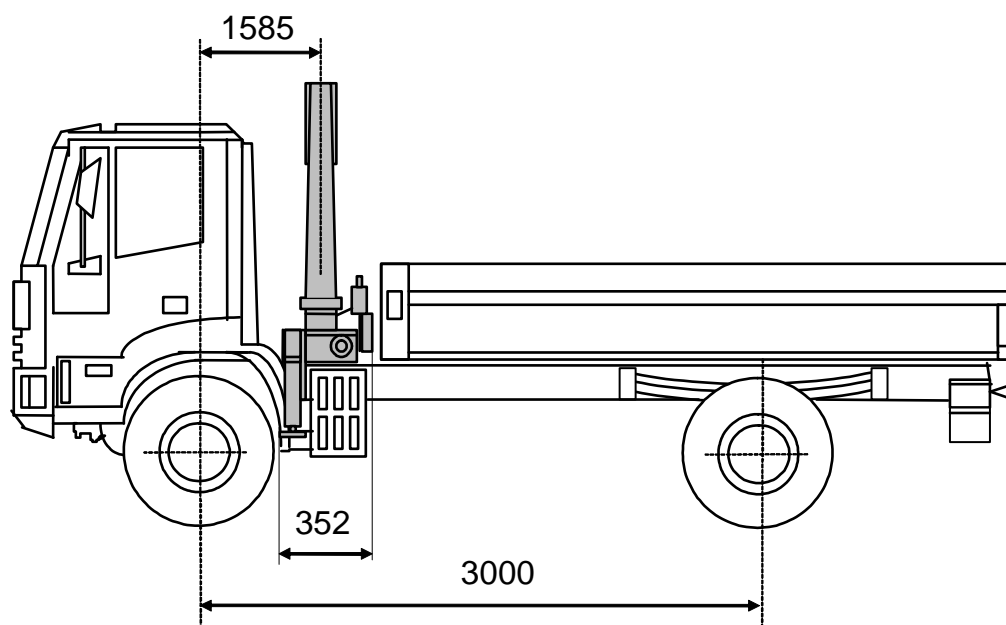


WEIGHTS – CENTERS OF GRAVITY



	103
Fixed parts weights (lbs)	562

MIN TRUCK WITHOUT SUPPLEMENTARY STABILIZERS



PTT (GVW) = 35 q

CHASSIS DATA**Front axle**

Front axle tare weight = 1375 kg

Allowable front axle weight = 1800 kg

Rear axle

Rear axle tare weight = 590 kg

OUTFIT WEIGHTS

Body weight = 200 kg

Crane weight = 465 kg (103-3S)

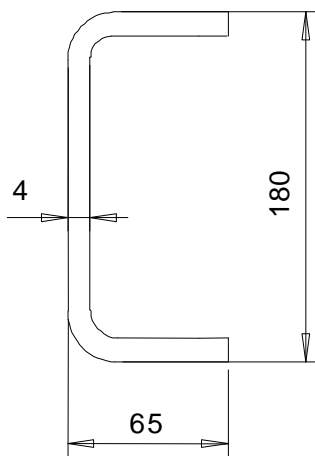
Counterframe weight = 100 kg

Stability index = 1,52

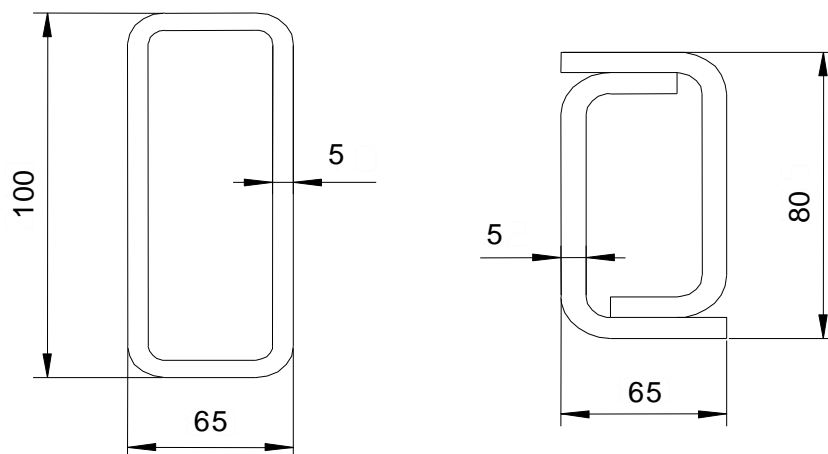
CONTROTELAIO MINIMO
MIN COUNTERFRAME

Momento dinamico max (daNm) Max dynamic moment	3210
--	------

Min frame section (truck GVW 3.5 ton)

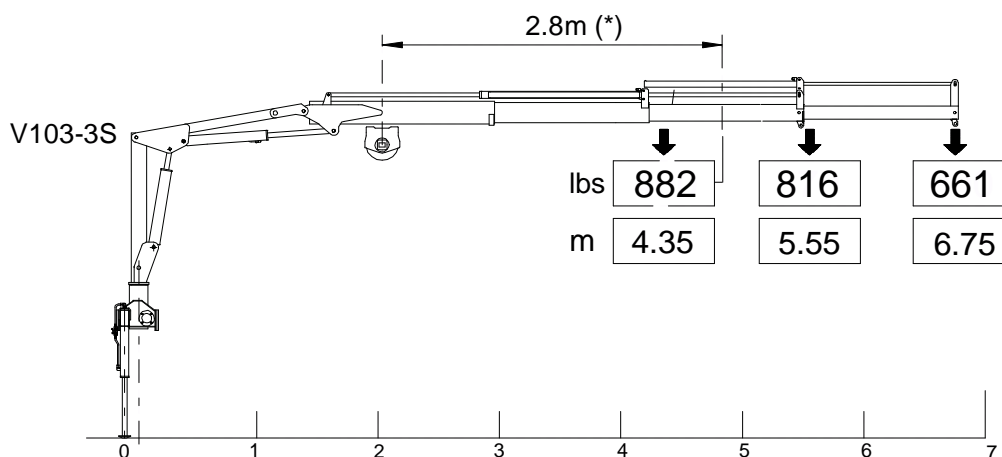
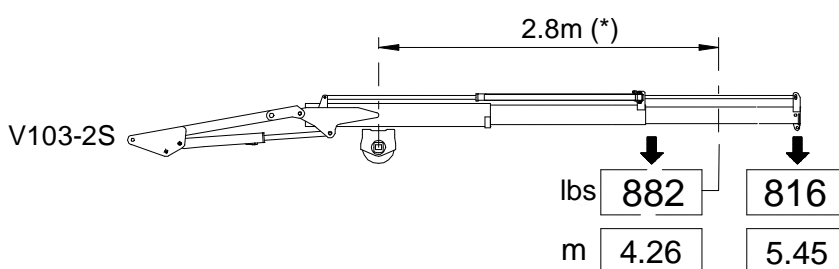


Min counterframe section (steel S355)



HYDRAULIC WINCH DATA

Max winch direct pull (kg)	882 Lbs
----------------------------	---------



(*) = Distanza minima di utilizzo argano
 (*) = Min distance for using the winch
 (*) = Min Abstand für Benutzung der Winde

GRAB - BUCKET DATA

Max allowable weight	154 Lbs
Max working pressure	170 bar

