



Amco Veba 946 - 46 tm available with up to 8 hydraulic extensions



REACH @ CAPACITY	
<b>2S</b>	 Lbs 47620 22050 15700 12020 ft/in 6'7" 14'2" 20'0" 26'1"
<b>3S</b>	 Lbs 46690 21080 14990 11420 9130 *7100 *5580 *4440 ft/in 6'7" 14'6" 20'4" 26'5" 32'10" 39'5" 46'3" 53'2"
<b>4S</b>	 Lbs 20240 14330 10800 8550 7100 *5580 *4440 *3510 ft/in 14'1" 20'8" 26'9" 33'2" 39'5" 46'3" 53'2" 60'4"
<b>5S</b>	 Lbs 19840 13890 10320 8050 6590 5580 *4440 *3510 *2760 ft/in 14'11" 20'8" 26'9" 33'2" 39'5" 46'3" 53'2" 60'4" 67'7"
<b>6S</b>	 Lbs 19180 13340 9850 7610 6170 5140 4440 *3510 *2760 *2200 ft/in 15'1" 20'1" 26'1" 33'2" 39'8" 46'3" 53'2" 60'4" 67'7" 74'10"
<b>7S</b>	 Lbs 18810 12920 9440 7190 5730 4720 4010 3510 *2760 *2200 ft/in 15'1" 20'1" 26'1" 33'2" 39'8" 46'3" 53'2" 60'4" 67'7" 74'1"
<b>8S</b>	 Lbs 18080 12390 8990 6790 5340 4300 3620 3110 2760 *2200 ft/in 15'5" 21'0" 27'3" 33'6" 40'0" 46'7" 53'6" 60'4" 67'7" 74'1"

\*Manually extendable extension optional

SPECIFICATIONS	2S	3S	4S	5S	6S	7S	8S
Number of Extensions	2-Hydraulic	3-Hydraulic	4-Hydraulic	5-Hydraulic	6-Hydraulic	7-Hydraulic	8-Hydraulic
Crane Rating (ft. lbs.)	312,000	312,000	312,000	312,000	312,000	312,000	312,000
Max. Horizontal Reach - hydraulic	26'1"	32'10"	39'4"	46'3"	53'2"	60'4"	67'7"
Max. Vertical Reach - hydraulic	35'5"	44'11"	54'9"	58'4"	65'7"	72'10"	80'4"
Max. Capacity (lbs.)	12,020	9130	7100	5580	4440	3510	2760
Crane Weight (lbs.)	10,010	10,560	11,180	11,710	12,150	12,570	12,960
Crane Dimensions	99" x 97" x 51"	99" x 97" x 51"	99" x 97" x 51"	99" x 97" x 51"	99" x 97" x 51"	99" x 97" x 56"	99" x 98" x 56"
Mounting Space	8'3" x 8'2" x 4'7"	8'3" x 8'2" x 4'7"	8'3" x 8'2" x 4'7"	8'3" x 8'2" x 4'7"	8'3" x 8'2" x 4'7"	8'3" x 8'2" x 4'7"	8'3" x 8'2" x 4'7"
Slewing Angle (degrees)	400	400	400	400	400	400	400
Oil Tank Capacity (gallons)	55.5	55.5	55.5	55.5	55.5	55.5	55.5
Max. Oil Flow (gpm)	13.2	13.2	13.2	13.2	13.2	13.2	13.2
Max. Working Pressure (psi)	4423	4423	4423	4423	4423	4423	4423
Outrigger Extension	20'4"	20'4"	20'4"	20'4"	20'4"	20'4"	20'4"

**STANDARD FEATURES**

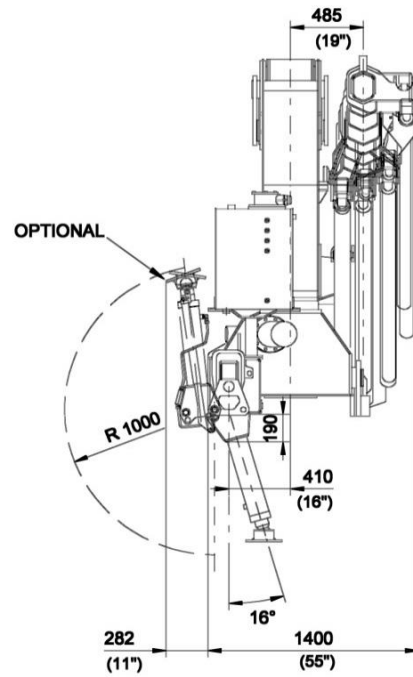
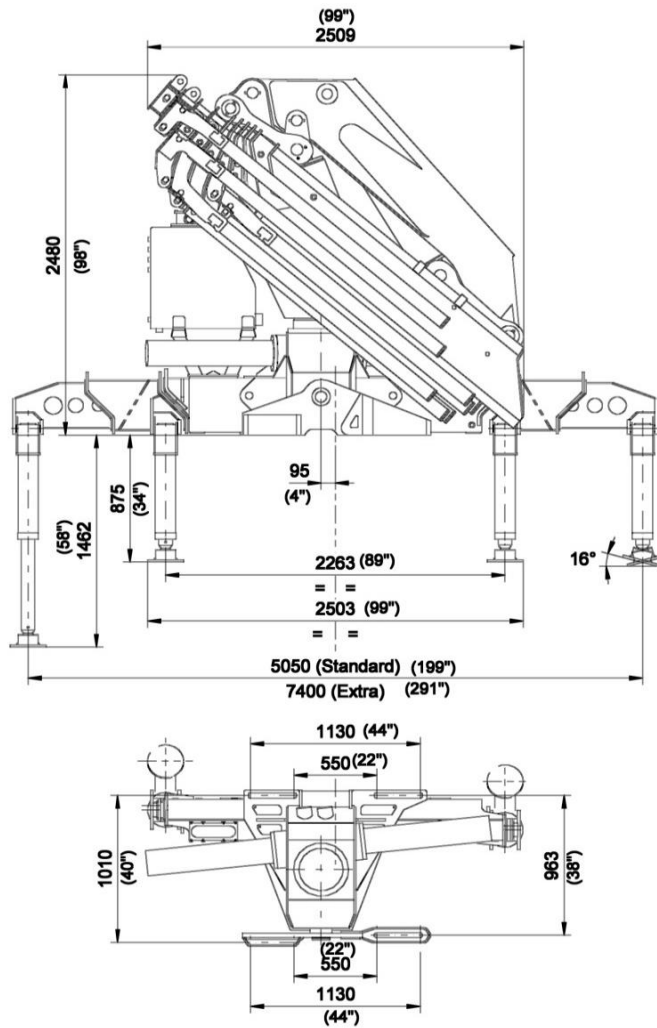
- Dual side controls - except with remote
- Hexagonal extension cylinders
- Sliding pads on telescopic extensions
- Flanged Valves
- Self lubricating bushings
- Oil tank
- Din and JIC fittings
- Designed in accordance with EN 12999
- Fatigue test classifications: B3
- Rack and pinion rotation
- Manually extendable stabilizers
- One year warranty

**ACCESSORIES**

- RRS radio remote
- Manual extensions
- Optional load limiting device
- Extra function to boom tip
- Extra valve function for winch
- Winch
- Pressure gauge
- Gear pump
- Winch plate
- Turning stabilizers
- Extra side extension of stabilizers
- Stabilizers with hydraulic extensions

## DIMENSIONS (mm)


## DIMENSIONS 946-950 8S



Rev.2014/02

8 / 40

## SPECIAL FEATURES

**SDD**   
Soft Descend Drive  
The SDD system is designed to reduce the oscillations and ensure a perfect control of the motions.

**SGS**   
Sprint Generation System  
The purpose of SGS system is to increase the extensions speed without affecting the crane safety.

**RRS**   
Radio Remote Control  
The operator can control the crane with high precision proportional levers in every position, and in doing so, can supervise the loading and unloading operations. That means a time savings and greater safety. The operator can also control the truck engine start, stop and accelerator with the remote control. All of the remote controls used by AMCO VEBA have an identification code and are shielded from electro-magnetic fields and from external radio signals.

**EBB**   
Electronic Black Box  
Amco Veba has designed this control motherboard to ensure an effective and reliable control of the crane in every working condition. The operator can read on the display all the information about the state of the crane, of the accessories, and of the routine maintenance. All components are designed according to automotive industry standards and ensure the highest reliability.