

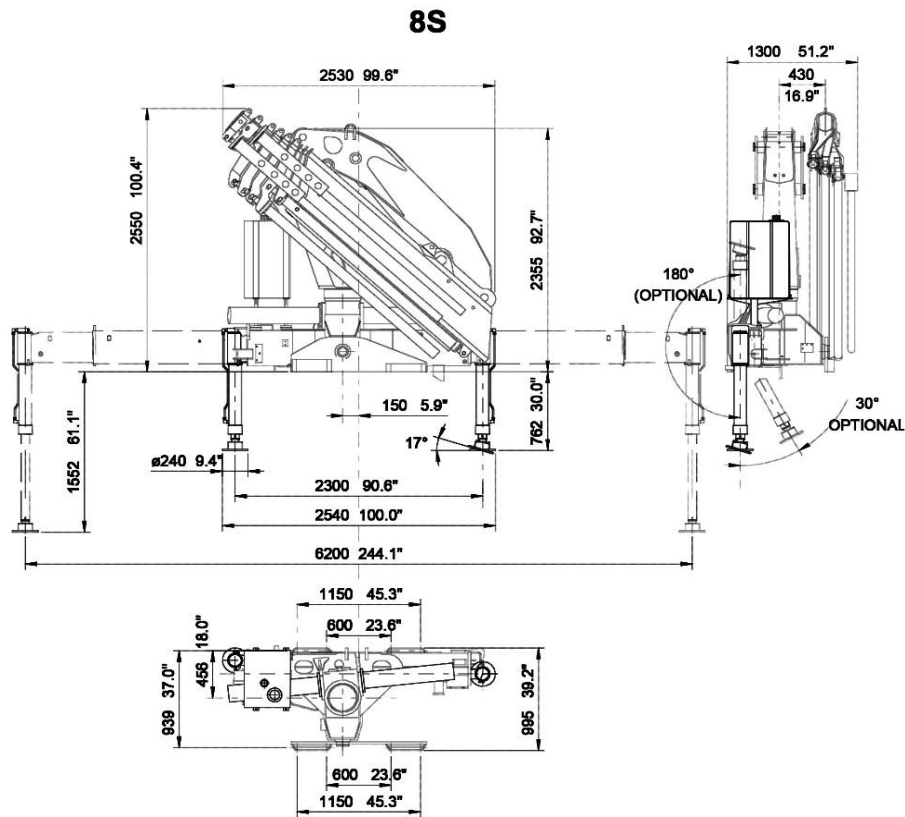
STANDARD FEATURES

Dual side controls - except with remote
 Hexagonal extension cylinders
 Sliding pads on telescopic extensions
 Flanged Valves
 Self lubricating bushings
 Oil tank
 Din and JIC fittings
 Designed in accordance with EN 12999
 Fatigue test classifications: B3
 Rack and pinion rotation
 Manually extendable stabilizers
 One year warranty

ACCESSORIES

RRS radio remote
 Manual extensions
 Optional load limiting device
 Extra function to boom tip
 Extra valve function for winch
 Winch
 Pressure gauge
 Gear pump
 Winch plate
 Turning stabilizers
 Extra side extension of stabilizers
 Stabilizers with hydraulic extensions

DIMENSIONS




Rev. 2014-02

8 / 34

STANDARD FEATURES

AVPS 
Amco Veba Power System
 AVPS system can reach longer outreach, with a heavy load, at the highest precision.


SDD
Soft Descend Drive
 The SDD system is designed to reduce the oscillations and ensure a perfect control of the motions.


SGS
Sprint Generation System
 The purpose of SGS system is to increase the extensions speed without affecting the crane safety.

OPTIONS


RRS
Radio Remote Control

The operator can control the crane with high precision proportional levers in every position, and in doing so, can supervise the loading and unloading operations. That means a time savings and greater safety. The operator can also control the truck engine start, stop and accelerator with the remote control. All of the remote controls used by AMCO VEBA have an identification code and are shielded from electro-magnetic fields and from external radio signals.

*Only with CE or Radio Remote


EBB
Electronic Black Box
 Amco Veba has designed this control motherboard to ensure an effective and reliable control of the crane in every working condition. The operator can read on the display all the information about the state of the crane, of the accessories, and of the routine maintenance. All components are designed according to automotive industry standards and ensure the highest reliability.