

STANDARD FEATURES

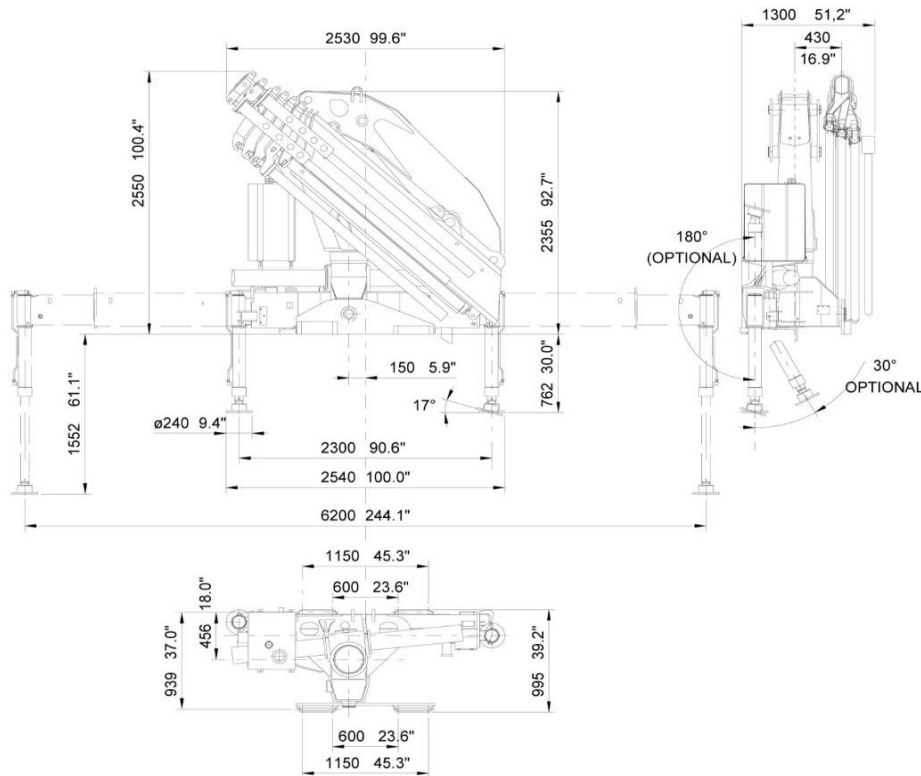
Dual side controls - except with remote
Hexagonal extension cylinders
Sliding pads on telescopic extensions
Flanged Valves
Self lubricating bushings
Oil tank
Din and JIC fittings
Designed in accordance with EN 12999
Fatigue test classifications: B3
Rack and pinion rotation
Manually extendable stabilizers
One year warranty

ACCESSORIES

RRS radio remote
Manual extensions
Optional load limiting device
Extra function to boom tip
Extra valve function for winch
Winch
Pressure gauge
Gear pump
Winch plate
Turning stabilizers
Extra side extension of stabilizers
Stabilizers with hydraulic extensions

DIMENSIONS

933 8S




Rev. 2013-04

SPECIAL FEARES

AVPS Amco Veba Power System

AVPS system can reach longer outreach, with a heavy load, at the highest precision.

 **SDD**
Soft Descend Drive
The SDD system is designed to reduce the oscillations and ensure a perfect control of the motions.

 **SGS**
Sprint Generation System
The purpose of SGS system is to increase the extensions speed without affecting the crane safety.

**Optional Radio Remote Control*



Radio Remote Control

The operator can control the crane with high precision proportional levers in every position, and in doing so, can supervise the loading and unloading operations. That means a time savings and greater safety. The operator can also control the truck engine start, stop and accelerator with the remote control. All of the remote controls used by AMCO VEBA have an identification code and are shielded from electro-magnetic fields and from external radio signals.

**Only with CE or Radio Remote Control*



EBB Electronic Black Box

Amco Veba has designed this control motherboard to ensure an effective and reliable control of the crane in every working condition. The operator can read on the display all the information about the state of the crane, of the accessories, and of the routine maintenance. All components are designed according to automotive industry standards and ensure the highest reliability.