



Amco Veba 929 - 29 tm available with up to 8 hydraulic extensions



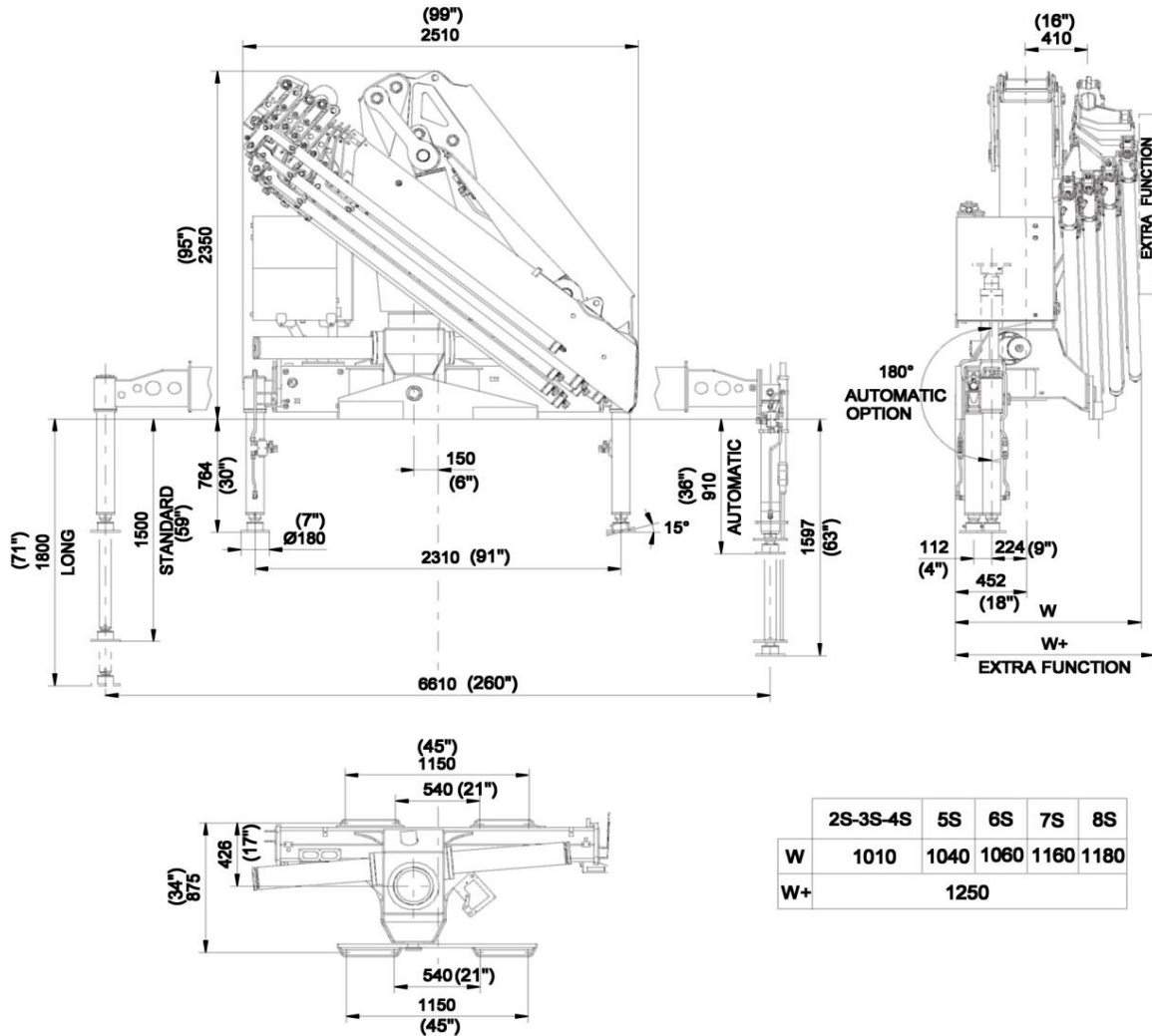
		REACH @ CAPACITY										
2S	lb	25130	13380	9260	7080	5360	4190	3260				
	ft-in	7'10"	14'8"	20'9"	26'11"	33'6"	39'10"	39'10"				
3S	lb	2487	13250	8970	6750	5360	4190	3260	2560			
	ft-in	7'10"	14'10"	20'11"	27'1"	33'6"	39'10"	47'0"	54'2"			
4S	lb	24010	12790	8640	6440	5070	4190	3260	2560	1980		
	ft-in	7'10"	14'10"	20'11"	27'1"	33'6"	39'10"	47'0"	54'2"	61'9"		
5S	lb	23550	12380	8250	6080	4720	3880	3260	2560	1980	1570	
	ft-in	7'10"	15'1"	21'2"	27'4"	33'9"	40'1"	47'0"	54'2"	61'9"	69'2"	
6S	lb	23190	11900	7940	5800	4450	3590	2980	2560	1980	1570	1260
	ft-in	7'10"	15'4"	21'6"	27'7"	34'0"	40'5"	47'4"	54'2"	61'9"	69'2"	76'5"
7S	lb	22750	11460	7580	5470	4167	2330	2710	2290	1980	1570	1260
	ft-in	7'10"	15'8"	21'9"	27'11"	34'4"	40'9"	47'7"	54'6"	61'9"	69'2"	76'5"
8S	lb	22380	11070	7280	5202	3920	3090	2490	2070	1790	1570	1260
	ft-in	7'10"	15'1"	22'1"	28'2"	34'7"	41'0"	47'10"	54'9"	62'0"	69'2"	76'5"

SPECIFICATIONS	2S	3S	4S	5S	6S	7S	8S
<i>Number of Extensions</i>	2-Hydraulic	3-Hydraulic	4-Hydraulic	5-Hydraulic	6-Hydraulic	7-Hydraulic	8-Hydraulic
<i>Crane Rating (ft. lbs.)</i>	198,000	198,000	198,000	198,000	198,000	198,000	198,000
<i>Max. Horizontal Reach - hydraulic</i>	26'11"	33'6"	39'10"	47'0"	54'2"	61'9"	69'2"
<i>Max. Vertical Reach - hydraulic</i>	39'1"	45'3"	51'10"	58'9"	66'0"	73'6"	81'0"
<i>Max. Capacity (lbs.)</i>	7080	5360	4190	3260	2560	1980	1570
<i>Crane Weight (lbs.)</i>	7070	7420	8070	8340	8600	8820	9630
<i>Crane Dimensions</i>	99"x93"x43"	99"x93"x43"	99"x93"x43"	99"x93"x43"	99"x93"x43"	99"x93"x47"	99"x93"x47"
<i>Mounting Space</i>	7'7"x 7'9"x3'10"	7'7"x 7'9"x3'10"	7'7"x 7'9"x3'10"	7'7"x 7'9"x3'10"	7'7"x 7'9"x3'10"	7'7"x 7'9"x3'10"	7'7"x 7'9"x3'10"
<i>Slewing Angle (degrees)</i>	425	425	425	425	425	425	425
<i>Oil Tank Capacity (gallons)</i>	47.6	47.6	47.6	47.6	47.6	47.6	47.6
<i>Max. Oil Flow (gpm)</i>	21	21	21	21	21	21	21
<i>Max. Working Pressure (psi)</i>	4713	4713	4713	4713	4713	4713	4713
<i>Outrigger Extension</i>	21'8"	21'8"	21'8"	21'8"	21'8"	21'8"	21'8"

STANDARD FEATURES
<i>Dual side controls - except with remote</i>
<i>Hexagonal extension cylinders</i>
<i>Sliding pads on telescopic extensions</i>
<i>Flanged Valves</i>
<i>Self lubricating bushings</i>
<i>Oil tank</i>
<i>Din and JIC fittings</i>
<i>Designed in accordance with EN 12999</i>
<i>Fatigue test classifications: B3</i>
<i>Rack and pinion rotation</i>
<i>Manually extendable stabilizers</i>
<i>One year warranty</i>

ACCESSORIES
<i>RRS radio remote</i>
<i>Manual extensions</i>
<i>Optional load limiting device</i>
<i>Extra function to boom tip</i>
<i>Extra valve function for winch</i>
<i>Winch</i>
<i>Pressure gauge</i>
<i>Gear pump</i>
<i>Winch plate</i>
<i>Turning stabilizers</i>
<i>Extra side extension of stabilizers</i>
<i>Stabilizers with hydraulic extensions</i>

DIMENSIONS



Rev. 2013/11

2/22

SPECIAL FEATURES

*Optional

*Only with CE or Radio Remote

RRS
RADIO REMOTE STANDARD

Radio Remote Control

The operator can control the crane with high precision proportional levers in every position, and in doing so, can supervise the loading and unloading operations. That means a time savings and greater safety. The operator can also control the truck engine start, stop and accelerator with the remote control. All of the remote controls used by AMCO VEBA have an identification code and are shielded from electro-magnetic fields and from external radio signals.

EBB
ELECTRONIC BLACK BOX

Electronic Black Box

Amco Veba has designed this control motherboard to ensure an effective and reliable control of the crane in every working condition. The operator can read on the display all the information about the state of the crane, of the accessories, and of the routine maintenance. All components are designed according to automotive industry standards and ensure the highest reliability.

SDD
Soft Descend Drive

The SDD system is designed to reduce the oscillations and ensure a perfect control of the motions

SGS
Sprint Generation System

The purpose of SGS system is to increase the extensions speed without affecting the crane. safety.

AVPS
Amco Veba Power System

AVPS system can reach longer outreach with very heavy load, with the highest precision.