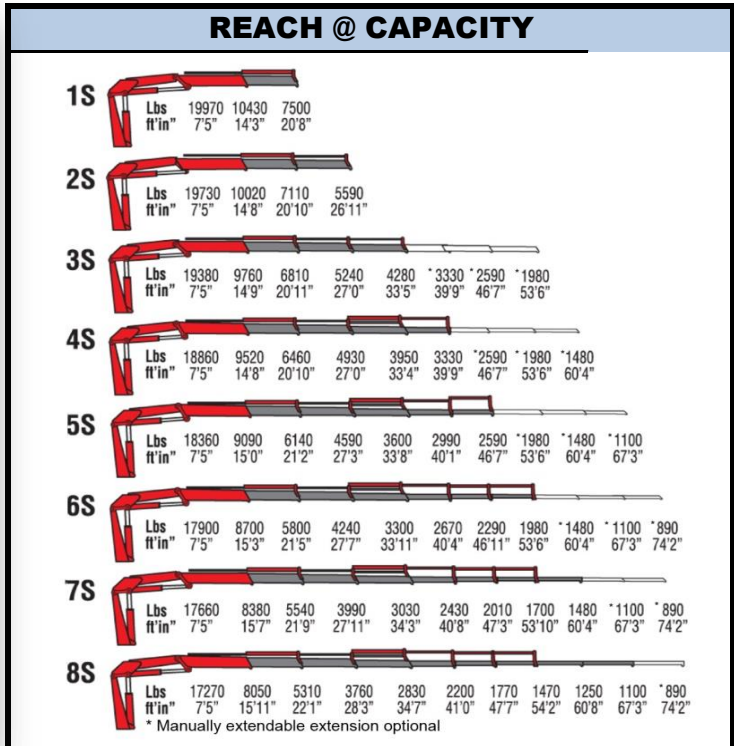




Amco Veba 924 - 24 tm available with up to 8 hydraulic extensions



SPECIFICATIONS	1S	2S	3S	4S	5S	6S	7S	8S
Number of Extensions	1-Hydraulic	2-Hydraulic	3-Hydraulic	4-Hydraulic	5-Hydraulic	6-Hydraulic	7-Hydraulic	8-Hydraulic
Crane Rating (ft. lbs.)	155,000	155,000	155,000	155,000	155,000	155,000	155,000	155,000
Max. Horizontal Reach - hydraulic	20'8"	26'11"	33'5"	39'9"	46'7"	53'6"	60'4"	67'3"
Max. Vertical Reach - hydraulic	32'8"	38'11"	45'4"	51'8"	58'6"	65'4"	72'2"	79'1"
Max. Capacity (lbs.)	7500	5590	4280	3330	2590	1980	1480	1100
Crane Weight (lbs.)	5670	6000	6330	6640	6900	7170	7390	7610
Crane Dimensions	98"x92"x40"	98"x92"x41"	98"x92"x41"	98"x92"x41"	98"x92"x41"	98"x92"x41"	98"x92"x44"	98"x92"x44"
Mounting Space	8'2"x2'10"x3'7"	8'2"x2'10"x3'7"	8'2"x2'10"x3'7"	8'2"x2'10"x3'7"	8'2"x2'10"x3'7"	8'2"x2'10"x3'7"	8'2"x2'10"x3'7"	8'2"x2'10"x3'7"
Slewing Angle (degrees)	387	387	387	387	387	387	387	387
Oil Tank Capacity (gallons)	34	34	34	34	34	34	34	34
Max. Oil Flow (gpm)	10 gpm	10 gpm	10 gpm	10 gpm	10 gpm	10 gpm	10 gpm	10 gpm
Max. Working Pressure (psi)	4714 psi	4714 psi	4714 psi	4714 psi	4714 psi	4714 psi	4714 psi	4715 psi
Outrigger Extension	18'1"	18'1"	18'1"	18'1"	18'1"	18'1"	18'1"	18'1"

STANDARD FEATURES

- Dual side controls - except with remote
- Hexagonal extension cylinders
- Sliding pads on telescopic extensions
- Flanged Valves
- Self lubricating bushings
- Oil tank
- Din and JIC fittings
- Designed in accordance with EN 12999
- Fatigue test classifications: B3
- Rack and pinion rotation
- Manually extendable stabilizers
- One year warranty

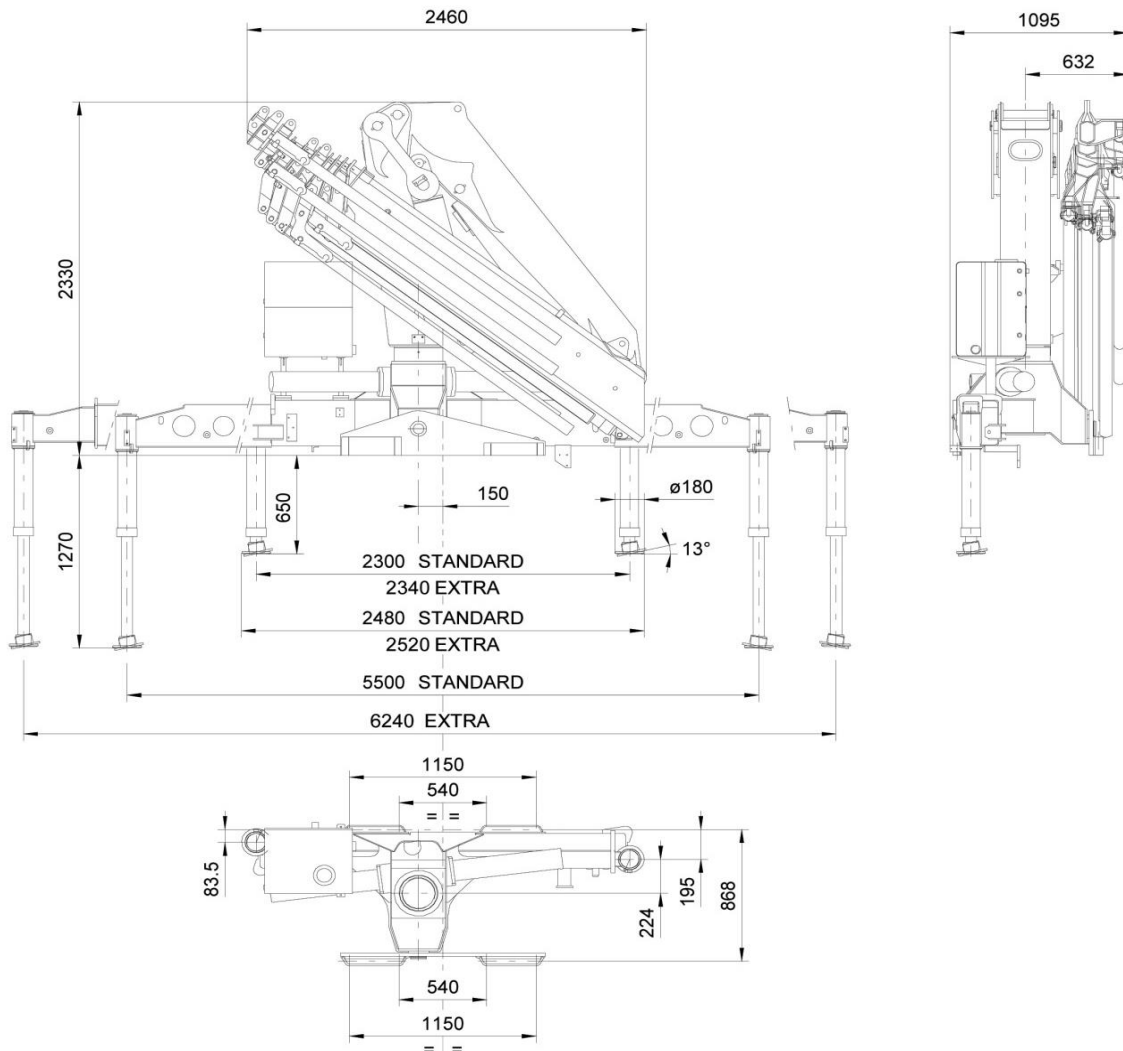
ACCESSORIES

- RRS radio remote
- Manual extensions
- Optional load limiting device
- Extra function to boom tip
- Extra valve function for winch
- Winch
- Pressure gauge
- Gear pump
- Winch plate
- Turning stabilizers
- Extra side extension of stabilizers
- Stabilizers with hydraulic extensions

DIMENSIONS (mm)

DIMENSIONS mm 1000mm = 39.4"

924 8S



Rev2012-11

SPECIAL FEATURES

AVPS Amco Veba Power System

AVPS system can reach longer outreach with very heavy load, with the highest precision.

SGS Sprint Generation System

The purpose of SGS system is to increase the extensions speed without affecting the crane. safety.

**Optional*

RRS Radio Remote Control

The operator can control the crane with high precision proportional levers in every position, and in doing so, can supervise the loading and unloading operations. That means a time savings and greater safety. The operator can also control the truck engine start, stop and accelerator with the remote control. All of the remote controls used by AMCO VEBA have an identification code and are shielded from electro-magnetic fields and from external radio signals.

**Only with CE or Radio Remote*

EBB Electronic Black Box

Amco Veba has designed this control motherboard to ensure an effective and reliable control of the crane in every working condition. The operator can read on the display all information about the state of the crane, of the accessories and if the routine maintenance. All components are designed according to automotive industry standards and ensure the highest reliability.