



585 E. South Frontage Rd., Bolingbrook, IL 60440 1-800-739-4430 • www.fischercrane.com • sales@fischercrane.com



Amco Veba 911C - 11 tm available with up to 5 hydraulic extensions



REACH @ CAPACITY

2S		Lbs 9440	6260	4860	3440	*2450	*1760	*1340
		ft'in" 7'3"	11'1"	14'2"	20'2"	26'7"	33'6"	40'4"
3S		Lbs 9080	5860	4540	3170	2450	*1760	*1340
		ft'in" 7'3"	11'5"	14'7"	20'6"	26'7"	33'6"	40'4"
4S		Lbs 8840	5520	4250	2910	2200	1760	*1340
		ft'in" 7'3"	11'9"	14'1"	20'1"	26'1"	33'6"	40'4"
5S		Lbs 8640	5250	4030	2730	2030	1610	1340
		ft'in" 7'3"	12'1"	15'3"	21'2"	27'3"	33'4"	39'10"

* Manually extendable extension optional

SPECIFICATIONS	2S	3S	4S	5S
Number of Extensions	2-Hydraulic	3-Hydraulic	4-Hydraulic	5-Hydraulic
Crane Rating (ft. lbs.)	69,400	69,400	69,400	69,400
Max. Horizontal Reach - hydraulic	20'2"	26'7"	33'6"	39'10"
Max. Vertical Reach - hydraulic	33'6"	38'5"	43'8"	50'
Max. Capacity (lbs.)	3,280	2,300	1,640	1,230
Crane Weight (lbs.)	2870	3080	3270	3430
Crane Dimensions	98"x86"x26"	98"x86"x26"	98"x86"x26"	98"x86"x30"
Mounting Space	7'6" x 2'0" x 7'5"	7'6" x 2'0" x 7'5"	7'6" x 2'0" x 7'5"	7'6" x 2'0" x 7'5"
Slewing Angle (degrees)	395	395	395	395
Oil Tank Capacity (gallons)	15 gallons	15 gallons	15 gallons	15 gallons
Max. Oil Flow (gpm)	6.6 gpm	6.6 gpm	6.6 gpm	6.6 gpm
Max. Working Pressure (psi)	4206 psi	4206 psi	4206 psi	4206 psi
Stabilizer Extention	11'11"	11'11"	11'11"	11'11"

STANDARD FEATURES

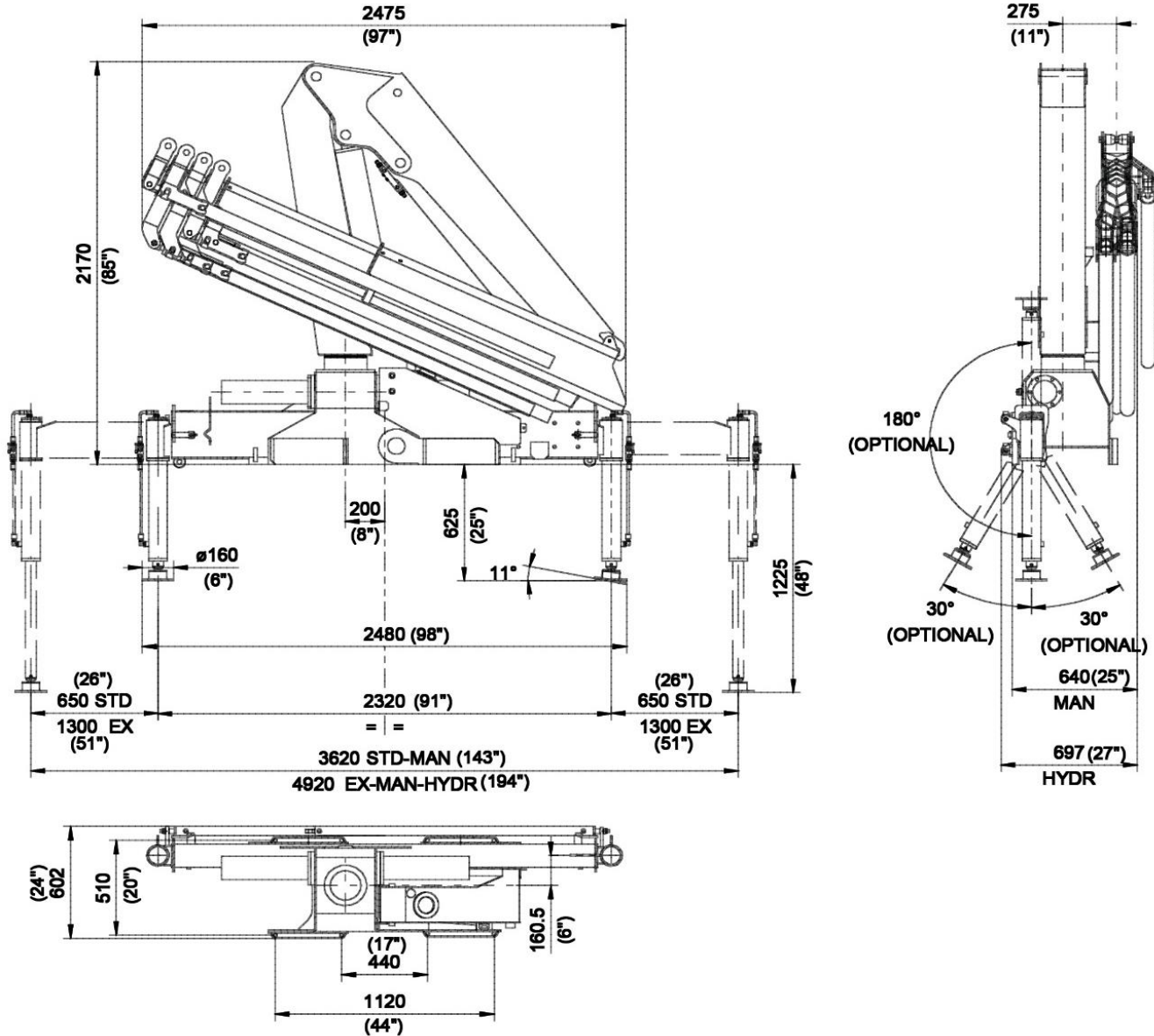
- RRS radio remote
- Load limiting device
- Proportional control valve
- Hexagonal section extensions
- Independent extension cylinders
- Fixed stabilizer cylinders
- Centralized lubrication
- Flanged valves
- Oil tank
- Assembly kit
- Fittings SAE-JIC
- One year warranty

ACCESSORIES

- Supplementary element activation
- Manual extensions
- Oil cooler
- Extra function to boom tip
- Extra valve function for winch
- Winch
- Pressure gauge
- Gear pump
- Winch plate
- Turning stabilizers
- Extra side extension of stabilizers
- Stabilizers with hydraulic extensions

DIMENSIONS

911C 5S



Rev. 2008-04

5 / 22

STANDARD FEATURES

AVPS 
Amco Veba Power System

AVPS system can reach longer outreach with very heavy load, with the highest precision.

SGS 
Sprint Generation System

The purpose of SGS system is to increase the extensions speed without affecting the crane safety.

OPTIONS

*Optional

RRS 
RADIO REMOTE STANDARD

Radio Remote Control

The operator can control the crane with high precision proportional levers in every position, and in doing so, can supervise the loading and unloading operations. That means a time savings and greater safety. The operator can also control the truck engine start, stop and accelerator with the remote control. All of the remote controls used by AMCO VEBA have an identification code and are shielded from electro-magnetic fields and from external radio signals.

*Only with CE or Radio Remote



EBB
Electronic Black Box

Amco Veba has designed this control motherboard to ensure an effective and reliable control of the crane in every working condition. The operator can read on the display all the information about the state of the crane, of the accessories, and of the routine maintenance. All components are designed according to automotive industry standards and ensure the highest reliability.