



585 E. South Frontage Rd., Bolingbrook, IL 60440 1-800-739-4430 • www.fischercrane.com • sales@fischercrane.com



Amco Veba 911 - 11 tm available with up to 5 hydraulic extensions



REACH @ CAPACITY

Configuration	Lbs	ft'in"	Lbs	ft'in"	Lbs	ft'in"	Lbs	ft'in"	Lbs	ft'in"	Lbs	ft'in"
1S	9700	7'3"	5200	13'9"	3660	19'6"						
2S	9480	7'3"	4980	13'9"	3450	19'6"	2620	25'5"	1910	31'10"	1400	38'9"
3S	9150	7'3"	4670	14'1"	3170	19'10"	2430	25'9"	1910	31'10"	1400	38'9"
4S	8820	7'3"	4400	14'5"	2950	20'2"	2170	26'1"	1730	32'2"	1400	38'9"
5S	8310	7'3"	4160	14'8"	2740	20'6"	1970	26'5"	1520	32'6"	1230	38'7"

* Manually extendable extension optional

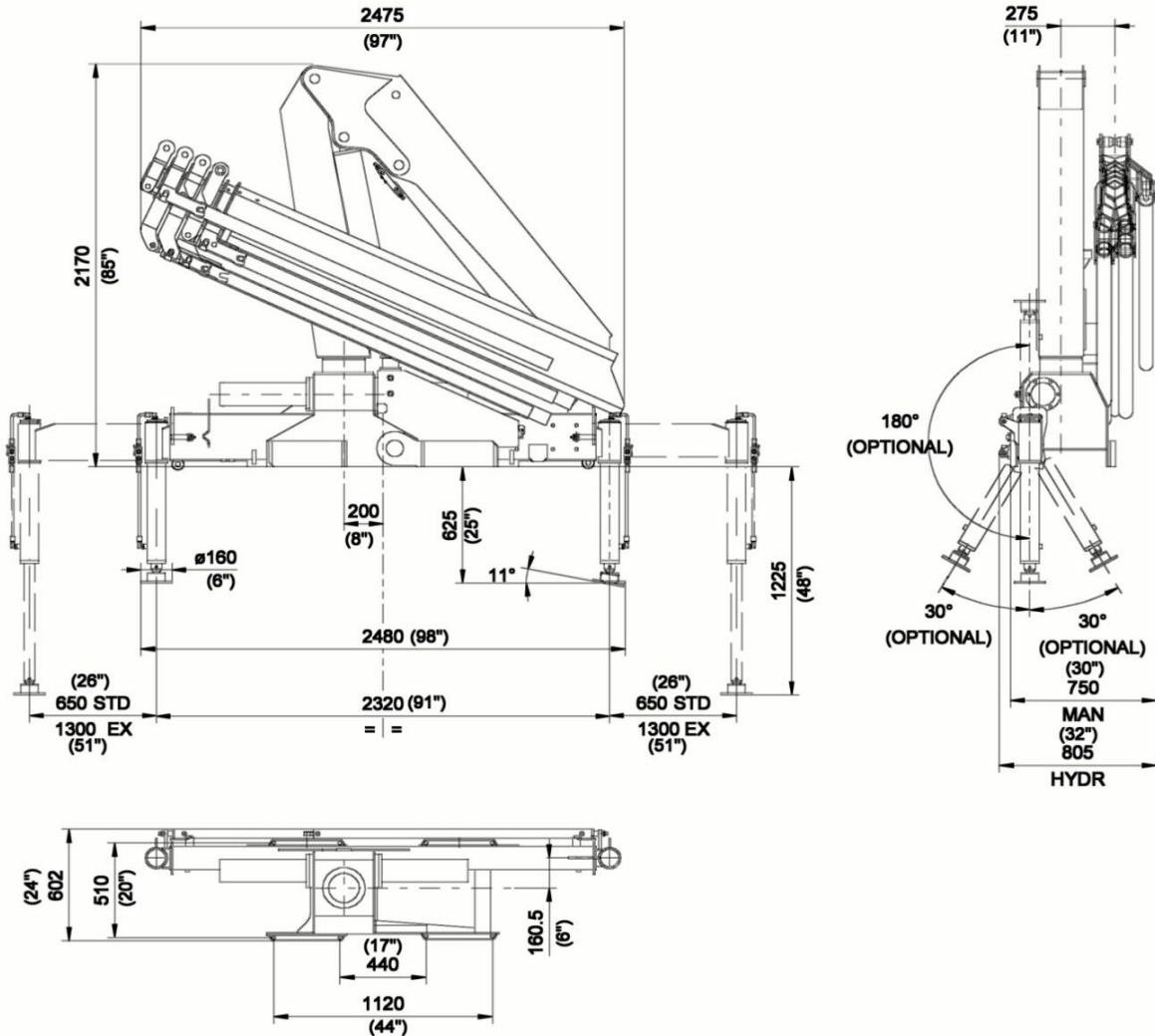
SPECIFICATIONS	1S	2S	3S	4S	5S
<i>Number of Extensions</i>	1-Hydraulic	2-Hydraulic	3-Hydraulic	4-Hydraulic	5-Hydraulic
<i>Crane Rating (ft. lbs.)</i>	70,000	70,000	70,000	70,000	70,000
<i>Max. Horizontal Reach - hydraulic</i>	19'6"	25'5"	31'10"	38'9"	45'1"
<i>Max. Vertical Reach - hydraulic</i>	31'1"	37'1"	43'4"	50'2"	56'9"
<i>Max. Capacity (lbs.)</i>	3,660	2,620	1,910	1,400	1,050
<i>Crane Weight (lbs.)</i>	2730	2970	3170	3370	3530
<i>Crane Dimensions</i>	98"x86"x26"	98"x86"x26"	98"x86"x26"	98"x86"x26"	98"x86"x30"
<i>Mounting Space</i>	8'1"x7'2"x2'0"	8'1"x7'2"x2'0"	8'1"x7'2"x2'0"	8'1"x7'2"x2'0"	8'1"x7'2"x2'0"
<i>Slewing Angle (degrees)</i>	395	395	395	395	395
<i>Oil Tank Capacity (gallons)</i>	15.9 gallons	15.9 gallons	15.9 gallons	15.9 gallons	15.9 gallons
<i>Max. Oil Flow (gpm)</i>	6.6 gpm	6.6 gpm	6.6 gpm	6.6 gpm	6.6 gpm
<i>Max. Working Pressure (psi)</i>	4351 psi	4351 psi	4351 psi	4351 psi	4351 psi
<i>Stabilizer Extention</i>	11'11"	11'11"	11'11"	11'11"	11'11"

STANDARD FEATURES

- RRS radio remote
- Load limiting device
- Proportional control valve
- Hexagonal section extensions
- Independent extension cylinders
- Fixed stabilizer cylinders
- Centralized lubrication
- Flanged valves
- Oil tank
- Assembly kit
- Fittings SAE-JIC
- One year warranty

ACCESSORIES

- Supplementary element activation
- Manual extensions
- Oil cooler
- Extra function to boom tip
- Extra valve function for winch
- Winch
- Pressure gauge
- Gear pump
- Winch plate
- Turning stabilizers
- Extra side extension of stabilizers
- Stabilizers with hydraulic extensions

DIMENSIONS**911 5S**

Rev. 2014-02

6 / 24

SPECIAL FEATURES

AVPS

Amco Veba Power System

AVPS system can reach longer outreach with very heavy load, with the highest precision.

SGS

Sprint Generation System

The purpose of SGS system is to increase the extensions speed without affecting the crane's safety.

*Optional Radio Remote Control

*Only with CE or Radio Remote Control

RRS

RADIO REMOTE STANDARD

Radio Remote Control

The operator can control the crane with high precision proportional levers in every position, and in doing so, can supervise the loading and unloading operations. That means a time savings and greater safety. The operator can also control the truck engine start, stop and accelerator with the remote control. All of the remote controls used by AMCO Veba have an identification code and are shielded from electro-magnetic fields and from external radio signals.

EBB

ELECTRONIC BLACK BOX

Electronic Black Box

Amco Veba has designed this control motherboard to ensure an effective and reliable control of the crane in every working condition. The operator can read on the display all the information about the state of the crane, of the accessories, and of the routine maintenance. All components are designed according to automotive industry standards and ensure the highest reliability.