



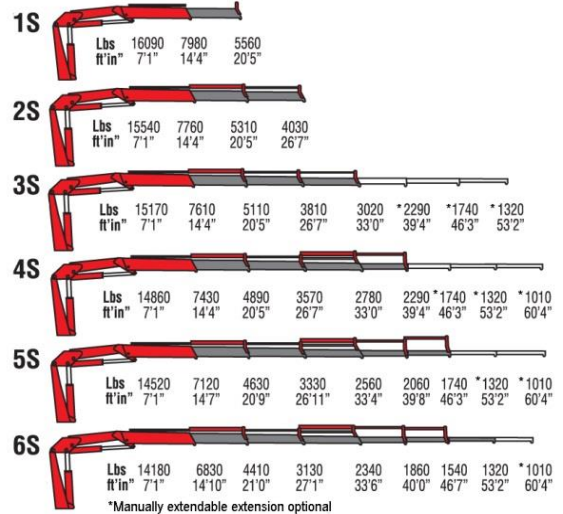
585 E. South Frontage Rd., Bolingbrook, IL 60440 1-800-739-4430 • www.fischercrane.com • sales@fischercrane.com



Amco Veba 817 - 17 tm available with up to 6 hydraulic extensions



REACH @ CAPACITY



SPECIFICATIONS	1S	2S	3S	4S	5S	6S
Number of Extensions	1-Hydraulic	2-Hydraulic	3-Hydraulic	4-Hydraulic	5-Hydraulic	6-Hydraulic
Crane Rating (ft. lbs.)	114,000	114,000	114,000	114,000	114,000	114,000
Max. Horizontal Reach - hydraulic	20'5"	26'7"	33'0"	39'4"	46'3"	53'2"
Max. Vertical Reach - hydraulic	27'11"	33'6"	38'5"	43'8"	43'8"	43'8"
Max. Capacity (lbs.)	5560	4030	3020	2290	1740	1320
Crane Weight (lbs.)	4700	5000	5270	5530	5780	5950
Crane Dimensions	98"x91"x39"	98"x91"x39"	98"x91"x40"	98"x91"x40"	98"x91"x40"	99"x91"x40"
Mounting Space	8'1"x2'10"x7'9"	8'1"x2'10"x7'9"	8'1"x2'10"x7'9"	8'1"x2'10"x7'9"	8'1"x2'10"x7'9"	8'1"x2'10"x7'9"
Slewing Angle (degrees)	387	387	387	387	387	387
Oil Tank Capacity (gallons)	34.3	34.3	34.3	34.3	34.3	34.3
Max. Oil Flow (gpm)	8.5	8.5	8.5	8.5	8.5	8.5
Max. Working Pressure (psi)	4496	4496	4496	4496	4496	4496
Outrigger Extension	18'1"	18'1"	18'1"	18'1"	18'1"	18'1"

STANDARD FEATURES

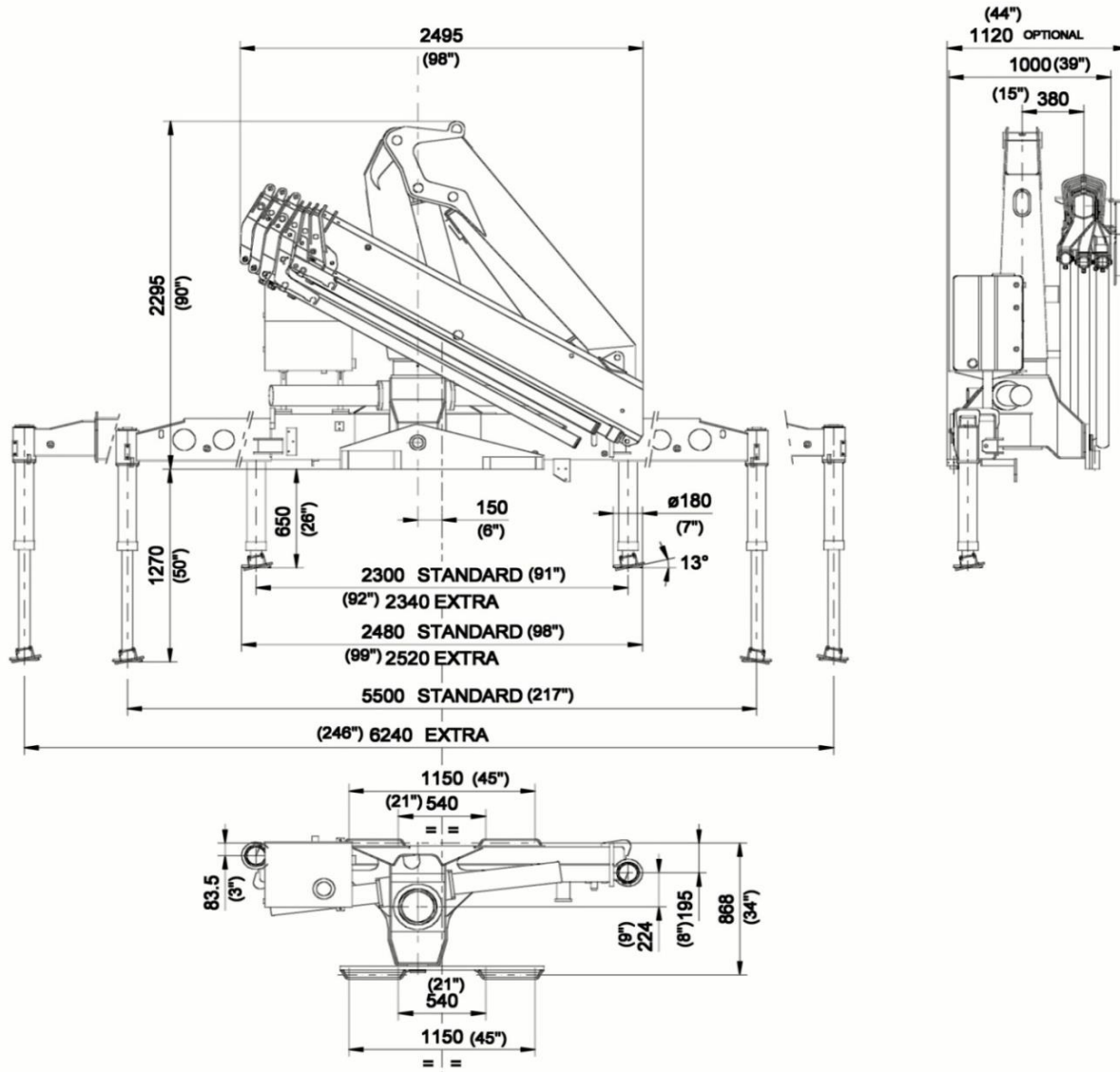
- Dual side controls - except with remote
- Hexagonal extension cylinders
- Sliding pads on telescopic extensions
- Flanged Valves
- Self lubricating bushings
- Oil tank
- Din and JIC fittings
- Designed in accordance with EN 12999
- Fatigue test classifications: B3
- Rack and pinion rotation
- Manually extendable stabilizers
- One year warranty

ACCESSORIES

- RRS radio remote
- Manual extensions
- Optional load limiting device
- Extra function to boom tip
- Extra valve function for winch
- Winch
- Pressure gauge
- Gear pump
- Winch plate
- Turning stabilizers
- Extra side extension of stabilizers
- Stabilizers with hydraulic extensions

DIMENSIONS


817 6S



Rev. 2014-02

7 / 32

SPECIAL FEATURES

SDD 
Soft Descend Drive
 The SDD system is designed to reduce the oscillations and ensure a perfect control of the motions

SGS 
Sprint Generation System
 The purpose of SGS system is to increase the extensions speed without affecting the crane safety.

**Optional Radio Remote Control*

RRS 
Radio Remote Control

The operator can control the crane with high precision proportional levers in every position, and in doing so, can supervise the loading and unloading operations. That means a time savings and greater safety. The operator can also control the truck engine start, stop and accelerator with the remote control. All of the remote controls used by AMCO VEBA have an identification code and are shielded from electro-magnetic fields and from external radio signals.

EBB 
Electronic Black Box
 Amco Veba has designed this control motherboard to ensure an effective and reliable control of the crane in every working condition. The operator can read on the display all the information about the state of the crane, of the accessories, and of the routine maintenance. All components are designed according to automotive industry standards and ensure the highest reliability.