



585 E. South Frontage Rd., Bolingbrook, IL 60440 1-800-739-4430 • www.fischercrane.com • sales@fischercrane.com



**T Series** Amco Veba 816T - 16 tm available with up to 6 hydraulic extensions

*Easy to use*

By having one less function and simpler geometry, the crane is easier to stow, unstow, and use. This makes it very suitable for occasional operators, companies with many operators, and for rental companies.




*Light*

We omit the first boom found on an articulated version, as well as the offset second boom. Instead, we use an inline boom with extensions. This reduces the weight of the crane.

*Compact*

Thanks to the design a "T" crane takes up less space on the chassis. The body can be built longer to add space for cargo.



REACH @ CAPACITY	
<b>2S</b>	 Lbs 13,580 8020 5670 *3860 *3110 *2270 ft'in" 7'9" 13'0" 18'3" 24'2" 29'7" 35'5"
<b>4S</b>	 Lbs 12,630 7410 5110 3860 3110 *2270 *1920 *1500 ft'in" 8'2" 13'5" 18'8" 24'2" 29'7" 35'5" 41'4" 47'3"
<b>6S</b>	 Lbs 12,080 7010 4760 3510 2760 2270 1920 *1500 ft'in" 8'3" 13'7" 18'10" 24'3" 29'8" 35'5" 41'4" 47'3"

\*Manually extendable extension optional

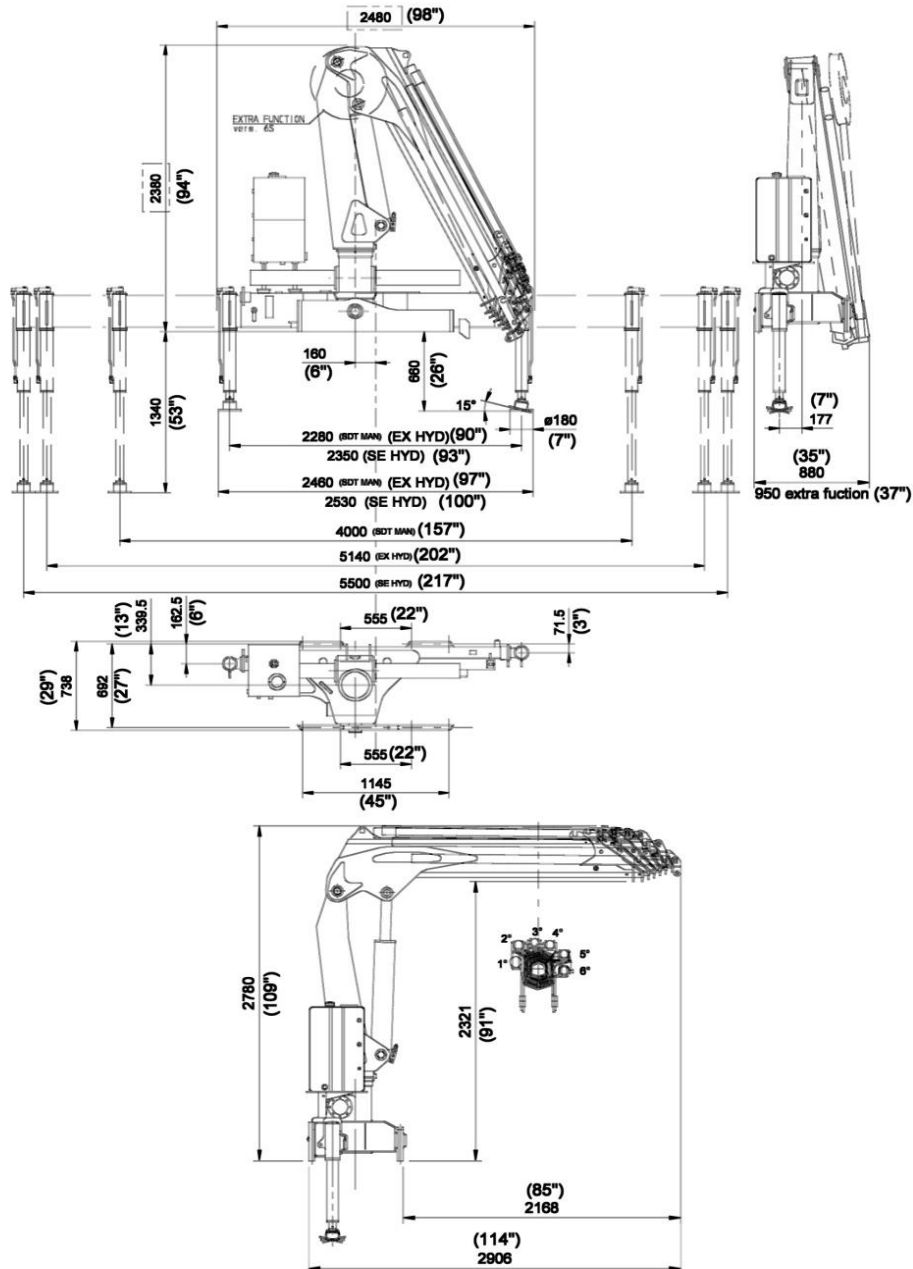
SPECIFICATIONS	2S	4S	6S
Number of Extensions	2-Hydraulic	4-Hydraulic	6-Hydraulic
Crane Rating (ft. lbs.)	105,000	105,000	105,000
Max. Horizontal Reach - hydraulic	18'3"	29'7"	41'4"
Max. Vertical Reach - hydraulic	29'7"	40'4"	51'10"
Max. Capacity (lbs.)	5670	3110	1920
Crane Weight (lbs.)	3440	3920	4280
Crane Dimensions	98" X 94" X 34"	98" X 94" X 34"	98" x 94" x 34"
Mounting Space	8'2" x 8'3" x 2'7"	8'2" x 8'3" x 2'7"	8'2" x 8'3" x 2'7"
Slewing Angle (degrees)	380	395	395
Oil Tank Capacity (gallons)	26.4	26.4	26.4
Max. oil flow (gpm)	7.9	7.9	7.9
Max. working pressure (psi)	4061	4061	4061
Outrigger Extension	13'1"	13'1"	13'1"

STANDARD FEATURES
Dual Controls
Hexagonal section extensions
Independent extension cylinders
Designed in accordance with EN12999
Fixed stabilizer cylinders
Flanged Valves
SAE and JIC fittings
One year warranty

ACCESSORIES
Radio Remote Control
Manual extensions
Turning stabilizers
Supplementary element activation
Winch
Remote Control
Outrigger with hydraulic extension
Load limiting device

# DIMENSIONS

## 816T-818T 6S



Rev. 2014-06

4 / 25

# SPECIAL FEATURES

**SGS**   
**Sprint Generation System**  
 The purpose of SGS system is to increase the extensions speed without affecting the crane safety.

*\*Optional Radio Remote Control*

**RRS**   
**Radio Remote Control**

The operator can control the crane with high precision proportional levers in every position, and in doing so, can supervise the loading and unloading operations. That means a time savings and greater safety. The operator can also control the truck engine start, stop and accelerator with the remote control. All of the remote controls used by AMCO VEBA have an identification code and are shielded from electro-magnetic fields and from external radio signals.

*\*Only with CE or Radio Remote*

**EBB**   
**Electronic Black Box**

Amco Veba has designed this control motherboard to ensure an effective and reliable control of the crane in every working condition. The operator can read on the display all the information about the state of the crane, of the accessories, and of the routine maintenance. All components are designed according to automotive industry standards and ensure the highest reliability.