



585 E. South Frontage Rd., Bolingbrook, IL 60440 1-800-739-4430 • www.fischercrane.com • sales@fischercrane.com



T Series

Amco Veba 815T - 15 tm available with up to 4 hydraulic extensions

Easy to use

By having one less function and simpler geometry, the crane is easier to stow, unstow, and use. This makes it very suitable for occasional operators, companies with many operators, and for rental companies.

Light

We omit the first boom found on an articulated version, as well as the offset second boom. Instead, we use an inline boom with extensions. This reduces the weight of the crane.

Compact

Thanks to the design a "T" crane takes up less space on the chassis. The body can be built longer to add space for cargo.



REACH @ CAPACITY

2S



3S



4S



*Manually extendable extension optional

SPECIFICATIONS	2S	3S	4S
Number of Extensions	2-Hydraulic	3-Hydraulic	4-Hydraulic
Crane Rating (ft. lbs.)	103,000	103,000	103,000
Max. Horizontal Reach - hydraulic	19'5"	26'3"	33'0"
Max. Vertical Reach - hydraulic	30'2"	36'9"	43'4"
Max. Capacity (lbs.)	5040	3420	2480
Crane Weight (lbs.)	3440	3730	3970
Crane Dimensions	99" X 98" X 31"	99" X 98" X 31"	99" X 98" X 31"
Mounting Space	8'2" x 8'3" x 2'7"	8'2" x 8'3" x 2'7"	8'2" x 8'3" x 2'7"
Slewing Angle (degrees)	380	395	395
Oil Tank Capacity (gallons)	26.4	26.4	26.4
Max. oil flow (gpm)	7.9	7.9	7.9
Max. working pressure (psi)	3916	3916	3916
Outrigger Extention	15'6"	15'6"	15'6"

STANDARD FEATURES

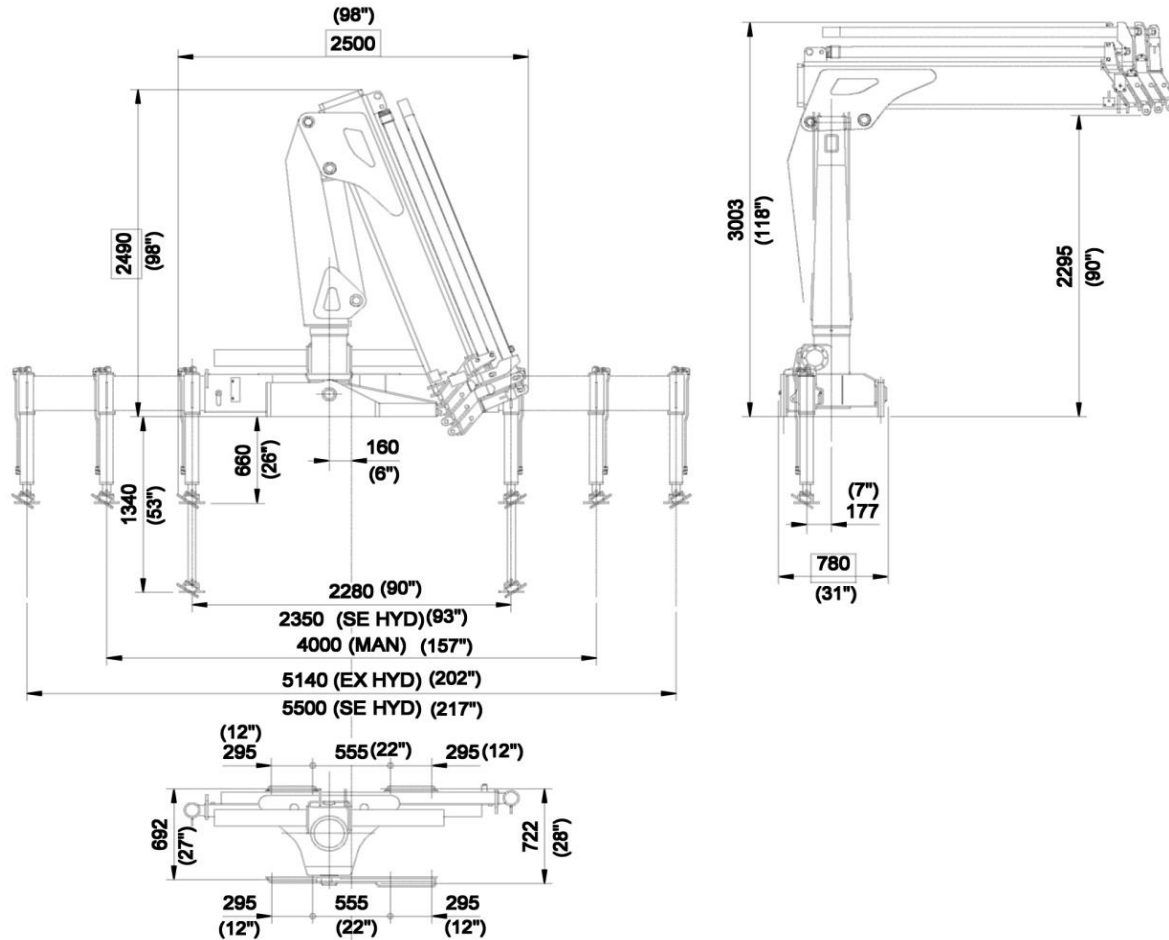
- Dual Controls
- Hexagonal section extensions
- Independent extension cylinders
- Designed in accordance with EN12999
- Fixed stabilizer cylinders
- Flanged Valves
- SAE and JIC fittings
- One year warranty

ACCESSORIES

- Radio Remote Control
- Manual extensions
- Turning stabilizers
- Supplementary element activation
- Winch
- Remote Control
- Outrigger with hydraulic extension
- Load limiting device

DIMENSIONS

815T-817T 4S



Rev. 02/2014

4 /23

SPECIAL FEATURES

***Optional Radio Remote Control**

***Only with CE or Radio Remote**



Radio Remote Control

The operator can control the crane with high precision proportional levers in every position, and in doing so, can supervise the loading and unloading operations. That means a time savings and greater safety. The operator can also control the truck engine start, stop and accelerator with the remote control. All of the remote controls used by AMCO VEBA have an identification code and are shielded from electro-magnetic fields and from external radio signals.



Electronic Black Box

Amco Veba has designed this control motherboard to ensure an effective and reliable control of the crane in every working condition. The operator can read on the display all the information about the state of the crane, of the accessories, and of the routine maintenance. All components are designed according to automotive industry standards and ensure the highest reliability.