



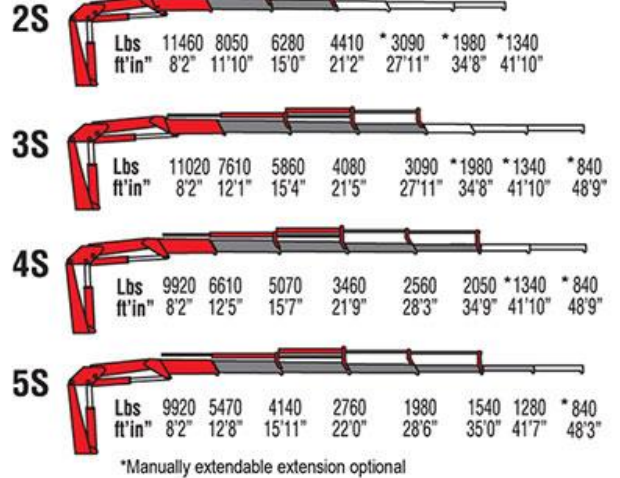
585 E. South Frontage Rd., Bolingbrook, IL 60440 1-800-739-4430 • www.fischercrane.com • sales@fischercrane.com



## Amco Veba 814C - 14 tm available with up to 5 hydraulic extensions



### REACH @ CAPACITY



SPECIFICATIONS	2S	3S	4S	5S
Number of Extensions	2-Hydraulic	3-Hydraulic	4-Hydraulic	5-Hydraulic
Crane Rating (ft. lbs.)	95,500	95,500	95,500	95,500
Max. Horizontal Reach - hydraulic	21'2"	27'11"	34'9"	41'7"
Max. Vertical Reach - hydraulic	32'9"	39'2"	45'8"	52'3"
Max. Capacity (lbs.)	4410	3090	2050	1280
Crane Weight (lbs.)	3840	4100	4320	4500
Crane Dimensions	98" x 85" x 25"	98" x 85" x 25"	98" x 85" x 25"	98" X 85" X 30"
Slewing Angle (degrees)	380	380	380	380
Oil Tank Capacity (gallons)	26.41	26.41	26.41	26.41
Max. Oil Flow (gpm)	7.9	7.9	7.9	7.9
Max. Working Pressure (psi)	3967	3967	3674	3307
Stabilizer Extension	13'8"	13'8"	13'8"	13'8"

### STANDARD FEATURES

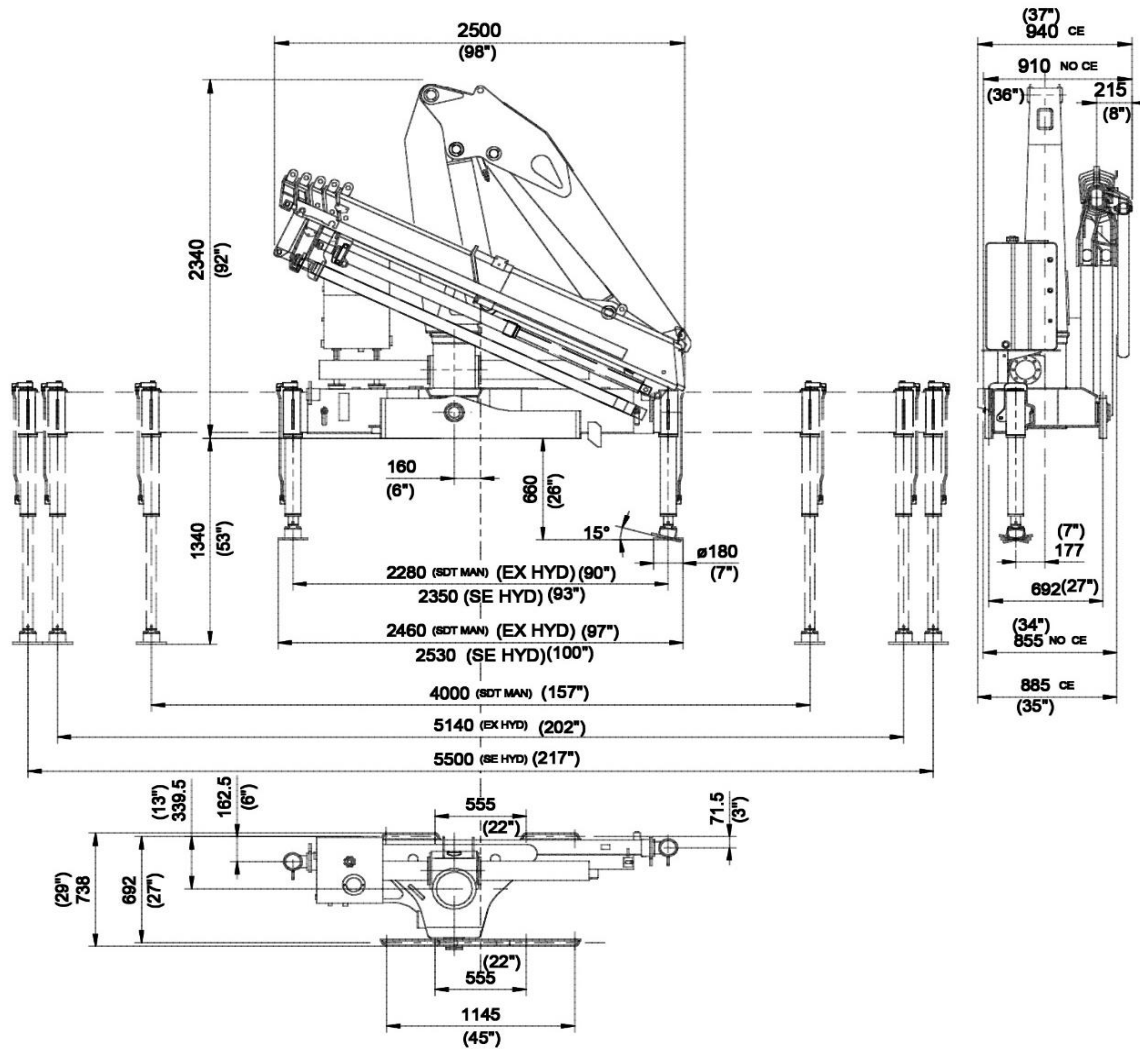
- Dual side controls - except with remote
- Hexagonal extension cylinders
- Fixed stabilizers cylinders
- Flanged Valves
- Self lubricating bushings
- Oil tank
- Din and JIC fittings
- Designed in accordance with EN 12999
- Fatigue test classifications: B3
- Rack and pinion rotation
- Load limiting device
- One year warranty

### ACCESSORIES

- RRS radio remote
- Manual extensions
- Optional load limiting device
- Extra function to boom tip
- Extra valve function for winch
- Winch
- Pressure gauge
- Gear pump
- Winch plate
- Turning stabilizers
- Extra side extension of stabilizers
- Stabilizers with hydraulic extensions

# DIMENSIONS

## 814C 5S



Rev. 2014-06

5 / 21

### STANDARD FEATURES

### OPTIONS

**SGS**   
**Sprint Generation System**  
 The purpose of SGS system is to increase the extensions speed without affecting the crane. safety.

  
**RRS** RADIO REMOTE STANDARD  
**Radio Remote Control**  
 The operator can control the crane with high precision proportional levers in every position, and in doing so, can supervise the loading and unloading operations. That means a time savings and greater safety. The operator can also control the truck engine start, stop and acclerator with the remote control. All of the remote controls used by AMCO VEBA have an identification code and are shielded from electro-magnetic fields and from external radio signals.

*\*Only with CE or Radio Remote*

  
**EBB** **Electronic Black Box**  
 Amco Veba has designed this control motherboard to ensure an effective and reliable control of the crane in every working condition. The operator can read on the display all the information about the state of the crane, of the accessories, and of the routine maintenance. All components are designed according to automotive industry standards and ensure the highest reliability.