
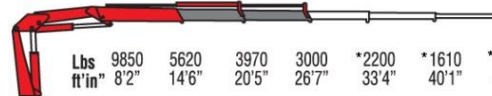
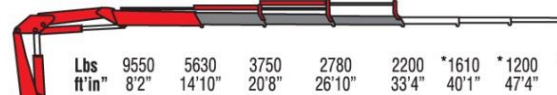
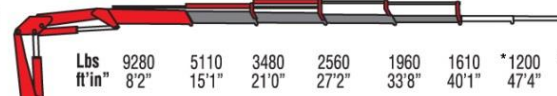
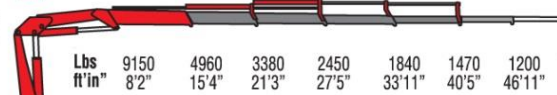




Amco Veba 812 - 12 tm available with up to 5 hydraulic extensions



REACH @ CAPACITY

1S		Lbs ft'in"	10430 8'2"	6020 14'3"	*4210 20'2"					
2S		Lbs ft'in"	9850 8'2"	5620 14'6"	3970 20'5"	3000 26'7"	*2200 33'4"	*1610 40'1"	*1200 47'4"	
3S		Lbs ft'in"	9550 8'2"	5630 14'10"	3750 20'8"	2780 26'10"	2200 33'4"	*1610 40'1"	*1200 47'4"	*660 54'3"
4S		Lbs ft'in"	9280 8'2"	5110 15'1"	3480 21'0"	2560 27'2"	1960 33'8"	1610 40'1"	*1200 47'4"	*660 54'3"
5S		Lbs ft'in"	9150 8'2"	4960 15'4"	3380 21'3"	2450 27'5"	1840 33'11"	1470 40'5"	1200 46'11"	*660 54'3"

*Manually extendable extension optional

SPECIFICATIONS	1S	2S	3S	4S	5S
Number of Extensions	1-Hydraulic	2-Hydraulic	3-Hydraulic	4-Hydraulic	5-Hydraulic
Crane Rating (ft. lbs.)	86,100 (12 tm)	86,100 (12 tm)	86,100 (12 tm)	86,100 (12 tm)	86,100 (12 tm)
Max. Horizontal Reach - hydraulic	20'2"	26'7"	33'4"	40'1"	46'11"
Max. Vertical Reach - hydraulic	37'9"	44'3"	50'10"	57'9"	61'9"
Max. Capacity (lbs.)	4210	3000	2200	1610	1200
Crane Weight (lbs.)	3200	3480	3750	3970	4120
Crane Dimensions	97"x93"x34"	97"x93"x34"	97"x93"x34"	98"x93"x34"	99"x93"x36"
Mounting Space	8'1"x2'3"x7'9"	8'1"x2'3"x7'9"	8'1"x2'3"x7'9"	8'1"x2'3"x7'9"	8'1"x2'3"x7'9"
Slewing Angle (degrees)	380	380	380	380	380
Oil Tank Capacity (gallons)	26	26	26	26	26
Max. Oil Flow (gpm)	6.6	6.6	6.6	6.6	6.6
Max. Working Pressure (psi)	4496	4496	4496	4496	4496
Outrigger Extension	13'1"	13'1"	13'1"	13'1"	13'1"

STANDARD FEATURES

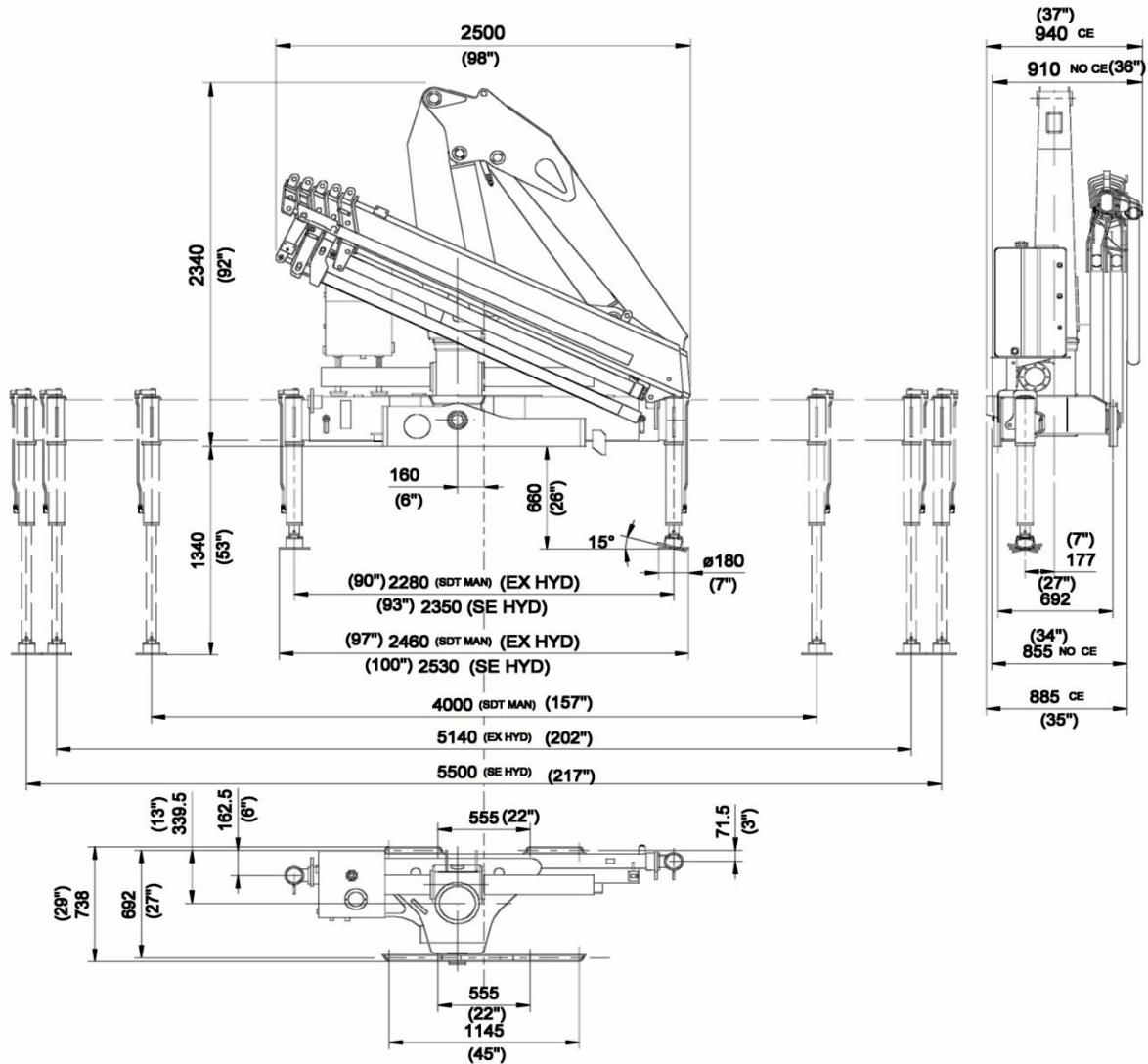
- Dual side controls - except with remote*
- Hexagonal extension cylinders*
- Sliding pads on telescopic extensions*
- Flanged Valves*
- Self lubricating bushings*
- Oil tank*
- Din and JIC fittings*
- Designed in accordance with EN 12999*
- Fatigue test classifications: B3*
- Rack and pinion rotation*
- Manually extendable stabilizers*
- One year warranty*

ACCESSORIES

- RRS radio remote*
- Manual extensions*
- Optional load limiting device*
- Extra function to boom tip*
- Extra valve function for winch*
- Winch*
- Pressure gauge*
- Gear pump*
- Winch plate*
- Turning stabilizers*
- Extra side extension of stabilizers*
- Stabilizers with hydraulic extensions*

DIMENSIONS

812 5S



Rev. 2014-06

6 / 26

SPECIAL FEATURES

SGS Sprint Generation System

The purpose of SGS system is to increase the extensions speed without affecting the crane safety.

**Optional Radio Remote Control*

**Only with CE or Radio Remote*

RRS Radio Remote Control

The operator can control the crane with high precision proportional levers in every position, and in doing so, can supervise the loading and unloading operations. That means a time savings and greater safety. The operator can also control the truck engine start, stop and acclerator with the remote control. All of the remote controls used by AMCO VEBA have an identification code and are shielded from electro-magnetic fields and from external radio signals.

EBB Electronic Black Box

Amco Veba has designed this control motherboard to ensure an effective and reliable control of the crane in every working condition. The operator can read on the display all the information about the state of the crane, of the accessories, and of the routine maintenance. All components are designed according to automotive industry standards and ensure the highest reliability.