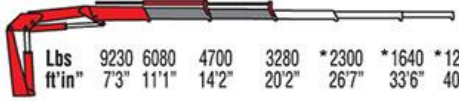
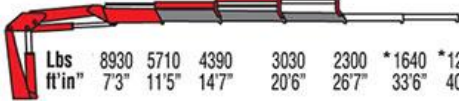
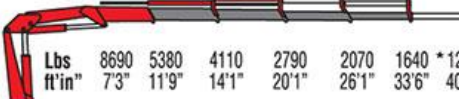
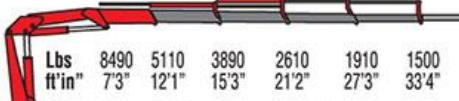




Amco Veba 810C - 10 tm available with up to 5 hydraulic extensions



REACH @ CAPACITY

2S		Lbs ft'in"	9230 7'3"	6080 11'1"	4700 14'2"	3280 20'2"	*2300 26'7"	*1640 33'6"	*1230 40'4"
3S		Lbs ft'in"	8930 7'3"	5710 11'5"	4390 14'7"	3030 20'6"	2300 26'7"	*1640 33'6"	*1230 40'4"
4S		Lbs ft'in"	8690 7'3"	5380 11'9"	4110 14'1"	2790 20'1"	2070 26'1"	1640 33'6"	*1230 40'4"
5S		Lbs ft'in"	8490 7'3"	5110 12'1"	3890 15'3"	2610 21'2"	1910 27'3"	1500 33'4"	1230 39'10"

* Manually extendable extensions optional

SPECIFICATIONS	2S	3S	4S	5S
Number of Extensions	2-Hydraulic	3-Hydraulic	4-Hydraulic	5-Hydraulic
Crane Rating (ft. lbs.)	67,500 (10 tm)	67,500 (10 tm)	67,500 (10 tm)	67,500 (10 tm)
Max. Horizontal Reach - hydraulic	20'2"	26'7"	33'6"	39'10"
Max. Vertical Reach - hydraulic	33'6"	38'5"	43'8"	50'0"
Max. Capacity (lbs.)	3280	2300	1640	1230
Crane Weight (lbs.)	2870	3080	3270	3430
Crane Dimensions	98"x86"x26"	98"x86"x26"	98"x86"x26"	98"x86"x30"
Mounting Space	7'7"x2'6"x7'2"	7'7"x2'6"x7'2"	7'7"x2'6"x7'2"	7'7"x2'6"x7'2"
Slewing Angle (degrees)	395	395	395	395
Oil Tank Capacity (gallons)	15	15	15	15
Max. Oil Flow (gpm)	6.6	6.6	6.6	6.6
Max. Working Pressure (psi)	4206	4206	4206	4206
Outrigger Extention	11'11"	11'11"	11'11"	11'11"

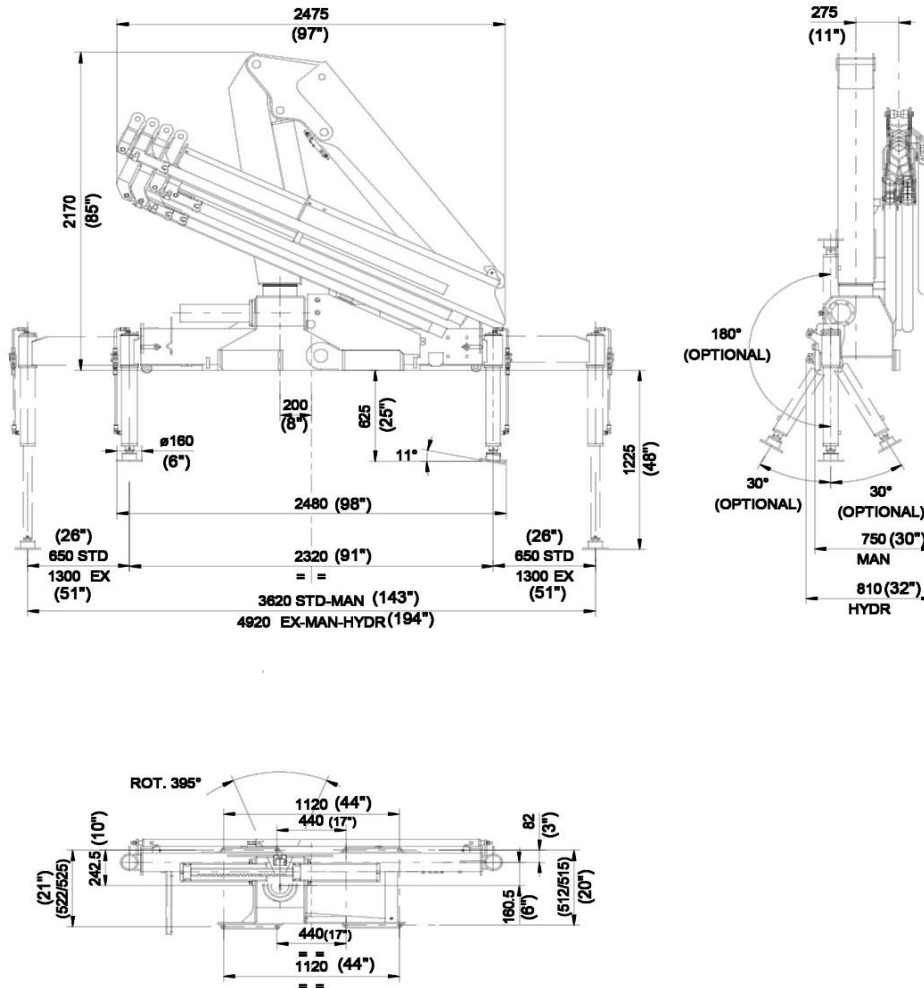
STANDARD FEATURES

- Dual side controls - except with remote
- Hexagonal extension cylinders
- Fixed stabilizers cylinders
- Flanged Valves
- Self lubricating bushings
- Oil tank
- Din and JIC fittings
- Designed in accordance with EN 12999
- Fatigue test classifications: B3
- Rack and pinion rotation
- Load limiting device
- One year warranty

ACCESSORIES

- RRS radio remote
- Manual extensions
- Optional load limiting device
- Extra function to boom tip
- Extra valve function for winch
- Winch
- Pressure gauge
- Gear pump
- Winch plate
- Turning stabilizers
- Extra side extension of stabilizers
- Stabilizers with hydraulic extensions

**DIMENSIONS
810C 5S**



Rev. 2012-07

5 / 22

STANDARD FEATURES

OPTIONS

SGS 
Sprint Generation System
 The purpose of SGS system is to increase the extensions speed without affecting the crane. safety.

RRS 
Radio Remote Control
 The operator can control the crane with high precision proportional levers in every position, and in doing so, can supervise the loading and unloading operations. That means a time savings and greater safety. The operator can also control the truck engine start, stop and acclerator with the remote control. All of the remote controls used by AMCO VEBA have an identification code and are shielded from electro-magnetic fields and from external radio signals.

**Only with CE or Radio Remote*

EBB 
Electronic Black Box
 Amco Veba has designed this control motherboard to ensure an effective and reliable control of the crane in every working condition. The operator can read on the display all the information about the state of the crane, of the accessories, and of the routine maintenance. All components are designed according to automotive industry standards and ensure the highest reliability.