



US Distribution & Product Support

Amco Veba 810 - 10 tm available with up to 5 hydraulic extensions



**REACH @ CAPACITY**

<b>1S</b>		Lbs 9480	5030	3510		
		ft'in" 7'3"	13'9"	19'6"		
<b>2S</b>		Lbs 9040	4810	3310	2490	*1790 *1300
		ft'in" 7'3"	13'9"	19'6"	25'5"	31'10" 38'9"
<b>3S</b>		Lbs 8770	4520	3020	2250	1790 *1300
		ft'in" 7'3"	14'1"	19'10"	25'9"	31'10" 38'9"
<b>4S</b>		Lbs 8470	4250	2820	2050	1600 1300
		ft'in" 7'3"	14'5"	20'2"	26'1"	32'2" 38'9"
<b>5S</b>		Lbs 8160	4010	2620	1870	1420 1150
		ft'in" 7'3"	14'8"	20'6"	26'5"	32'6" 38'7"

\* Manually extendable extension optional

<b>SPECIFICATIONS</b>	<b>1S</b>	<b>2S</b>	<b>3S</b>	<b>4S</b>	<b>5S</b>
Number of Extensions	1-Hydraulic	2-Hydraulic	3-Hydraulic	4-Hydraulic	5-Hydraulic
Crane Rating (ft. lbs.)	68,400 (10 tm)	68,400 (10 tm)	68,400 (10 tm)	68,400 (10 tm)	68,400 (10 tm)
Max. Horizontal Reach - hydraulic	19'6"	25'5"	31'10"	38'9"	45'1"
Max. Vertical Reach - hydraulic	27'11"	33'6"	38'5"	43'8"	50'0"
Max. Capacity (lbs.)	3510	2490	1790	1300	960
Crane Weight (lbs.)	2710	2940	3150	3350	3510
Crane Dimensions	98"x86"x26"	98"x86"x26"	98"x86"x26"	98"x86"x26"	98"x86"x26"
Mounting Space	7'7"x2'6"x7'2"	7'7"x2'6"x7'2"	7'7"x2'6"x7'2"	7'7"x2'6"x7'2"	7'7"x2'6"x7'2"
Slewing Angle (degrees)	405	405	405	405	405
Oil Tank Capacity (gallons)	15	15	15	15	15
Max. Oil Flow (gpm)	6.6	6.6	6.6	6.6	6.6
Max. Working Pressure (psi)	4206	4206	4206	4206	4206
Outrigger Extension	11'11"	11'11"	11'11"	11'11"	11'11"

**STANDARD FEATURES**

- Dual side controls - except with remote
- Hexagonal extension cylinders
- Sliding pads on telescopic extensions
- Flanged Valves
- Self lubricating bushings
- Oil tank
- Din and JIC fittings
- Designed in accordance with EN 12999
- Fatigue test classifications: B3
- Rack and pinion rotation

**ACCESSORIES**

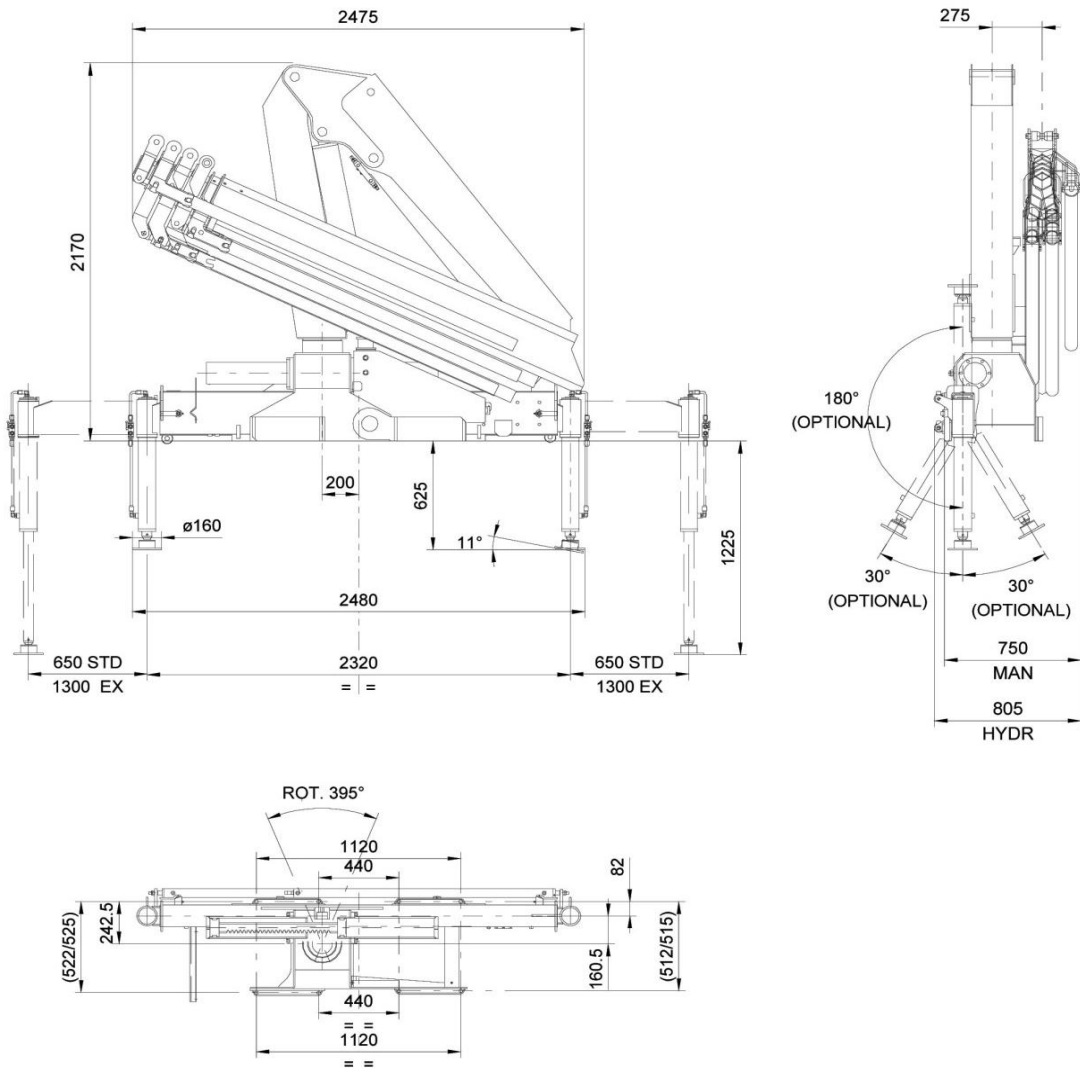
- RRS radio remote
- Manual extensions
- Optional load limiting device
- Extra function to boom tip
- Extra valve function for winch
- Winch
- Pressure gauge
- Gear pump
- Winch plate
- Turning stabilizers

Manually extendable stabilizers  
One year warranty

Extra side extension of stabilizers  
Stabilizers with hydraulic extensions

**DIMENSIONS (mm)**

**DIMENSIONS  
810 5S**



Rev. 2012-10

**SPECIAL FEATURES**

*\*Optional*

*\*Only with CE or Radio Remote*

**RRS**  
RADIO REMOTE STANDARD  
**Radio Remote Control**

The operator can control the crane with high precision proportional levers in every position, and in doing so, can supervise the loading and unloading operations. That means a time savings and greater safety. The operator can also control the truck engine start, stop and acclerator with



**EBB**  
**Electronic Black Box**  
Amco Veba has designed this control motherboard to ensure an effective and reliable control of the crane in every working condition. The operator can read on the display all information about the state of the crane of the accessories and



**SGS**  
**Sprint Generation S**  
The purpose of SGS system is to the extensions speed without aff crane. safety.

*the remote control . All of the remote controls used by AMCO VEBA have an identification code and are shielded from electro-magnetic fields and from external radio signals.*

*or the crane, or the accessories and if the routine maintenance. All components are designed according to automotive industry standards and ensure the highest reliability.*

---

739-6900



\*960  
45'7"



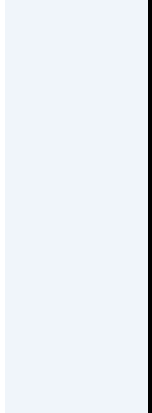
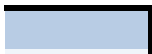
\*960  
45'7"



| \*960  
' 45'7"



| 960  
' 45'1"





**system**  
*o increase*  
*fecting the*

