



US Distribution & Product Support

T Series Amco Veba 807NT / 907NT RRS - 7 tm available with up to 4 hydraulic extensions

Easy to use

By having one less function and simpler geometry, the crane is easier to stow, unstow, and use. This makes it very suitable for occasional operators, companies with many operators, and for rental companies.

Light

We omit the first boom found on an articulated version, as well as the offset second boom. Instead, we use an inline boom with extensions. This reduces the weight of the crane.

Compact

Thanks to the design a "T" crane takes up less space on the chassis. The body can be built longer to add space for cargo.



REACH @ CAPACITY							
2S	Lbs	7280	4100	2840	2050	*1520	
	ft'in"	6'8"	11'10"	16'11"	22'4"	27'9"	
3S	Lbs	6940	3900	2690	2050	1520	*1040
	ft'in"	6'11"	12'0"	17'3"	22'4"	27'9"	33'0"
4S	Lbs	6550	3700	2510	1900	1520	*1040
	ft'in"	7'3"	12'5"	17'7"	22'8"	27'9"	33'0"

* Manually extendable extension optional

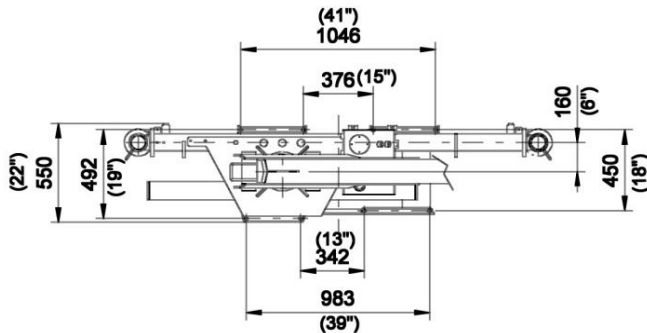
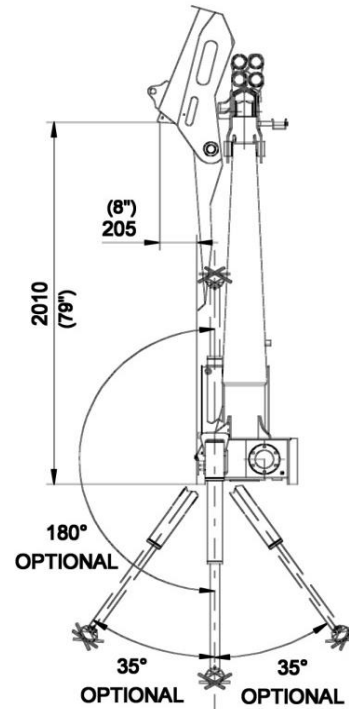
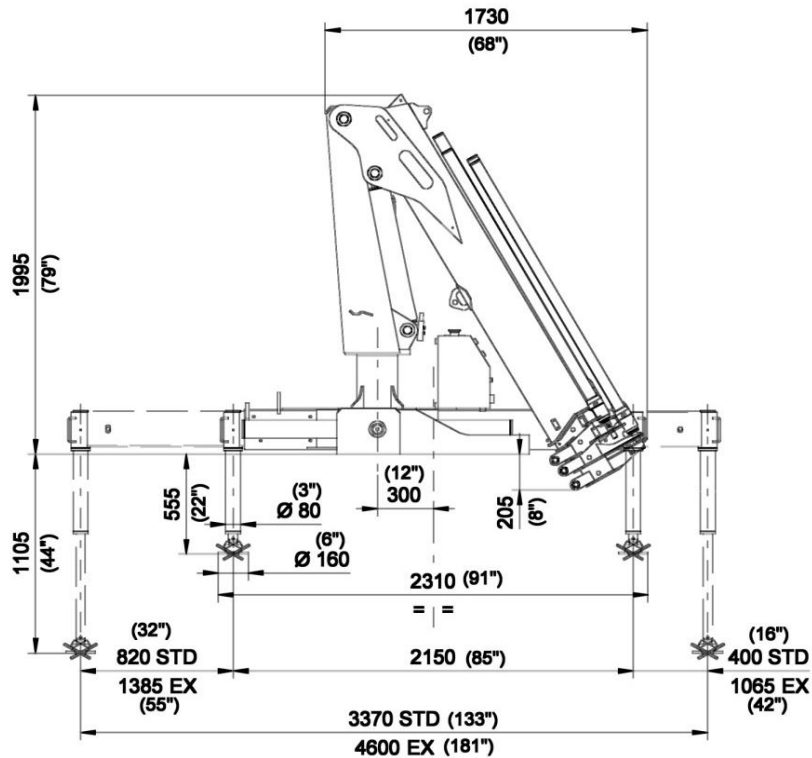
SPECIFICATIONS	2S	3S	4S
Number of Extensions	2-Hydraulic	3-Hydraulic	4-Hydraulic
Crane Rating (ft. lbs.)	48,700	48,700	48,700
Max. Horizontal Reach - hydraulic	16'11"	22'4"	27'9"
Max. Vertical Reach - hydraulic	25'7"	31'6"	35'9"
Max. Capacity (lbs.)	2840	2050	1520
Crane Weight (lbs.)	1940	2070	2200
Crane Dimensions	91" x 79" x 22"	91" x 79" x 22"	91" x 79" x 22"
Mounting Space	7'8" x 7'7" x 1'1"	7'8" x 7'7" x 1'1"	7'8" x 7'7" x 1'1"
Slewing Angle (degrees)	395	395	395
Oil Tank Capacity (gallons)	15.9	15.9	15.9
Max. oil flow (gpm)	5.3	5.3	5.3
Max. working pressure (psi)	3626	3626	3626
Outrigger Extension	15'6"	15'6"	15'6"

STANDARD FEATURES
Dual Controls
Hexagonal section extensions
Independent extension cylinders
Designed in accordance with EN12999
Fixed stabilizer cylinders
Flanged Valves
SAE and JIC fittings
One year warranty

ACCESSORIES
Radio Remote Control
Manual extensions
Turning stabilizers
Supplementary element activation
Winch
Remote Control
Outrigger with hydraulic extension
Load limiting device

DIMENSIONS

807NT - 907NT 4S



Rev. 02-2014

4 / 18

SPECIAL FEARES

Optional

**Only with CE or Radio Remote*



Radio Remote Control

The operator can control the crane with high precision proportional levers in every position, and in doing so, can supervise the loading and unloading operations. That means a time savings and greater safety. The operator can also control the truck engine start, stop and acclerator with the remote control. All of the remote controls used by AMCO VEBA have an identification code and are shielded from electro-magnetic fields and from external radio signals.



Electronic Black Box

Amco Veba has designed this control motherboard to ensure an effective and reliable control of the crane in every working condition. The operator can read on the display all the information about the state of the crane, of the accessories, and of the routine maintenance. All components are designed according to automotive industry standards and ensure the highest reliability.