



Crane Sales, Service & Parts

AMCO VEGA

US Distribution & Product Support

585 E. South Frontage Rd.
Bolingbrook, IL 60440
sales@fischercrane.com
www.fischercrane.com
1-800-739-4430 or 1-630-739-6900

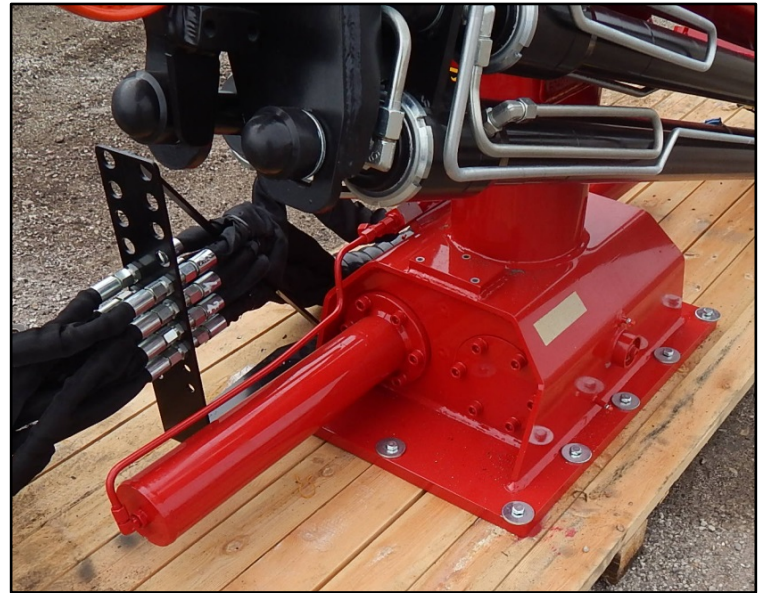
Amco Veba 806NFM 4S - 43,250 ft. lbs.

The 806NFM 4S kit is standard with

- 4 hydraulic extensions to 34' 1" of hydraulic reach
 - 1 manual extension for 39' 4" of fully extended reach
 - Control valve hosing is connected to bulkhead fitting bracket for easy extension of the hoses and control valve positioning
 - Compact marine base for mounting
- Available options include power unit and oil tank.



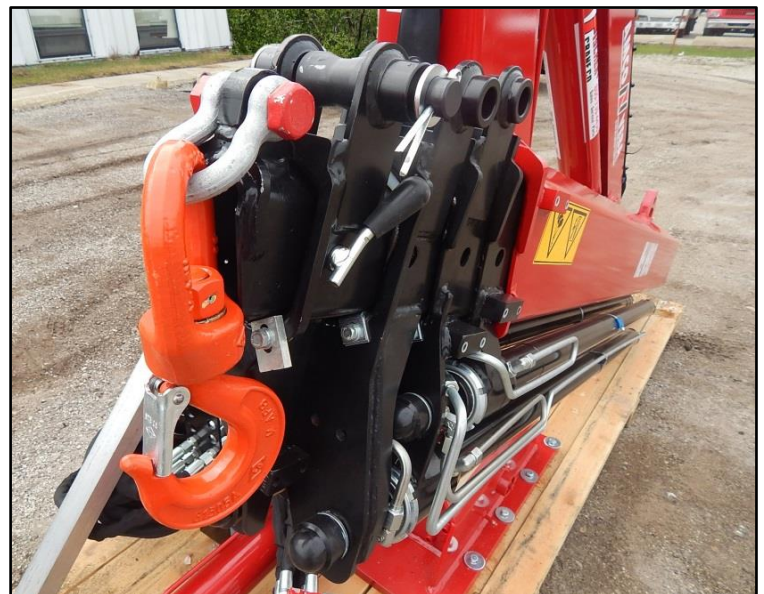
806NFM 4S KIT as shown ready for shipping



Bulkhead fittings for ease of extending hoses



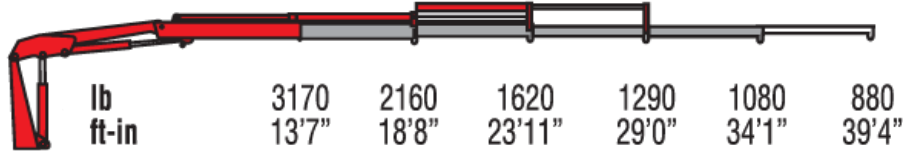
Control valve mounted loose - hoses protection is standard - stand as shown not included



Manual extension with hook

REACH @ CAPACITY

4S



SPECIFICATIONS

4S

Number of Extensions	4-Hydraulic
Crane Rating (ft. lbs.)	43,250
Max. Horizontal Reach - hydraulic	39'4"
Max. Vertical Reach - hydraulic	45'3"
Max. Capacity (lbs.)	880
Crane Weight (lbs.)	2100
Crane Dimensions	89" x 76" x 23"
Slewing Angle (degrees)	400
Oil Tank Capacity (gallons)	9.3 [not included]
Max. Oil Flow (gpm)	5.3
Max. Working Pressure (psi)	3620

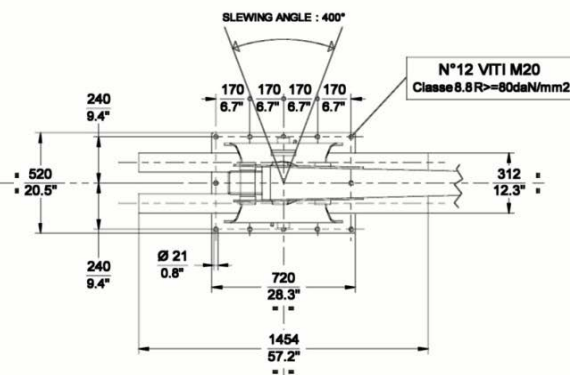
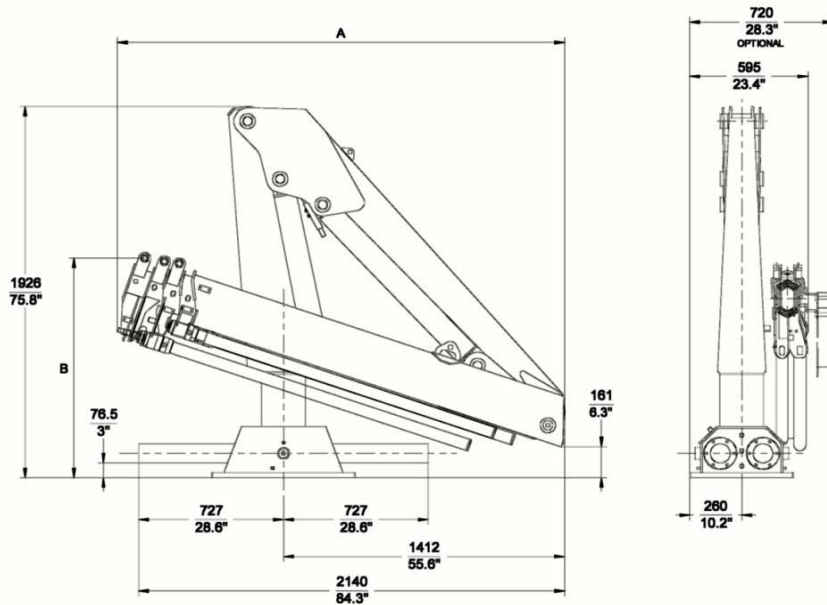
STANDARD FEATURES

- Hexagonal extension cylinders
- Independent extension cylinders
- Rack & pinion rotation system
- Flanged Valves
- Assembly kit (main valves, hoses)
- Sand blasting of principal components
- Anti-corrosion treatment and paint
- Designed in accordance with EN 12999
- One year factory warranty

OPTIONS INCLUDED

- One manual extension with hook
- PP2 hose with bulkhead fitting
- Marine base

DIMENSIONS



	A	B
1S	2020 mm 79.5 in	1118 mm 44.0 in
2S	2100 mm 82.7 in	1111 mm 43.7 in
3S	2220 mm 87.4 in	1121 mm 44.1 in
4S	2250 mm 88.6 in	1140 mm 44.9 in