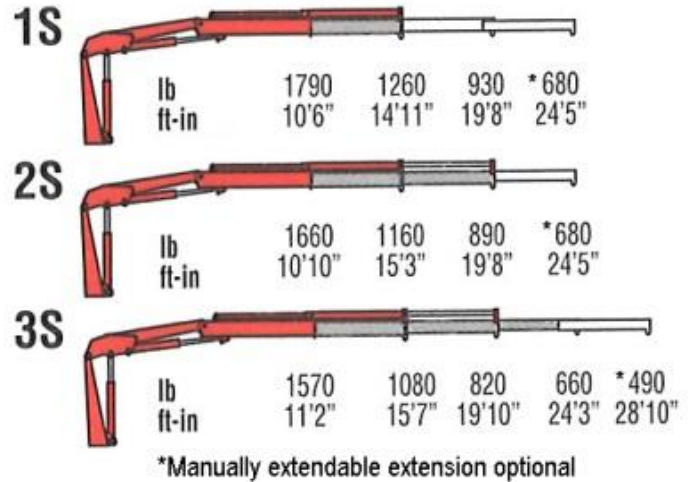




Amco Veba 803N / 903N RRS - 3 tm available with up to 3 hydraulic extensions



REACH @ CAPACITY



SPECIFICATIONS	1S	2S	3S
Number of Extensions	1-Hydraulic	2-Hydraulic	3- Hydraulic
Crane Rating (ft. lbs.)	18,700 (3 tm)	18,700 (3 tm)	18,700 (3 tm)
Max. Horizontal Reach - hydraulic	14' 11"	19' 8"	24' 3"
Max. Vertical Reach - hydraulic	22'11"	27'4"	31' 8"
Max. Capacity (lbs.)	1260	890	660
Crane Weight (lbs.)	1000	1080	1150
Crane Dimensions	82"x63"x20"	82"x63"x20"	82"x63"x20"
Mounting Space	5'5"x5'3"x1'7"	5'5"x5'3"x1'7"	5'5"x5'3"x1'7"
Slewing Angle (degrees)	370	370	370
Oil Tank Capacity (gallons)	6.6	6.6	6.6
Max. oil flow (gpm)	2.1	2.1	2.1
Max. working pressure (psi)	2538	2538	2538
Stabilizers manual out	8' 1"	8' 1"	8' 1"

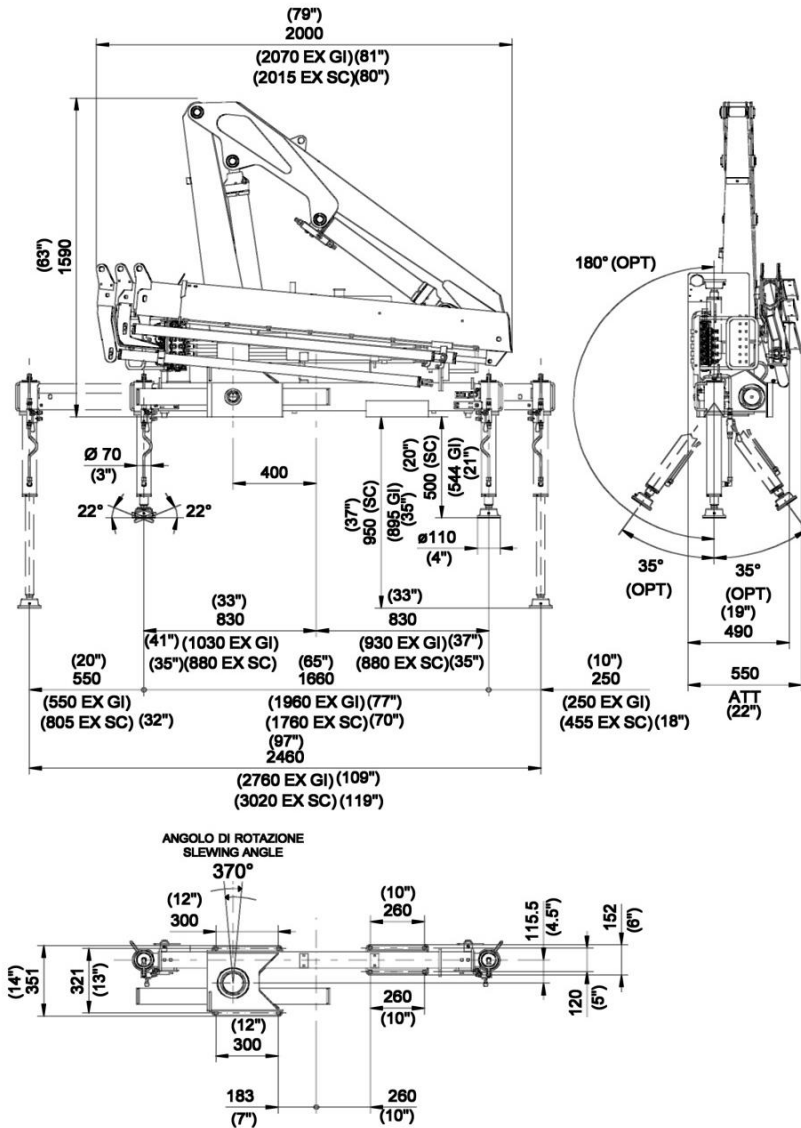
STANDARD FEATURES

- Dual side controls - except with remote
- Hexagonal extension cylinders
- Sliding pads on telescopic extensions
- Flanged Valves
- Self lubricating bushings
- Oil tank
- Din and JIC fittings
- Designed in accordance with EN 12999
- Fatigue test classifications: B3
- Rack and pinion rotation
- Manually extendable stabilizers
- One year warranty

ACCESSORIES

- RRS radio remote
- Manual extensions
- Optional load limiting device
- Extra function to boom tip
- Extra valve function for winch
- Winch
- Pressure gauge
- Gear pump
- Winch plate
- Turning stabilizers
- Extra side extension of stabilizers
- Stabilizers with hydraulic extensions

**DIMENSIONS
803N-903N 3S**



Rev. 2014-02

4 / 16

SPECIAL FEARES

*903N Model Includes



Radio Remote Control

The operator can control the crane with high precision proportional levers in every position, and in doing so, can supervise the loading and unloading operations. That means a time savings and greater safety. The operator can also control the truck engine start, stop and accelerator with the remote control. All of the remote controls used by AMCO VEBA have an identification code and are shielded from electro-magnetic fields and from external radio signals.