



585 E. South Frontage Rd., Bolingbrook, IL 60440 1-800-739-4430 • www.fischercrane.com • sales@fischercrane.com



## Amco Veba 605T - 5 tm available with up to 4 hydraulic extensions

### Easy to use

By having one less function and simpler geometry, the crane is easier to stow, unstow, and use. This makes it very suitable for occasional operators, companies with many operators, and for rental companies.

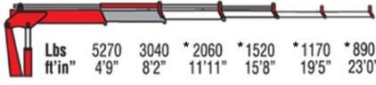
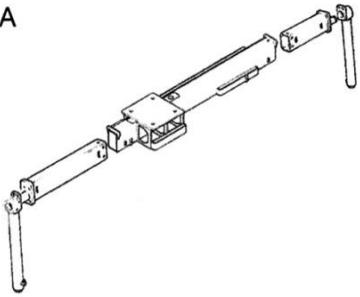



### Light

We omit the first boom found on an articulated version, as well as the offset second boom. Instead, we use an inline boom with extensions. This reduces the weight of the crane.

### Compact

Thanks to the design a "T" crane takes up less space on the chassis. The body can be built longer to add space for cargo.



REACH @ CAPACITY		Stabilizer Options							
<b>1S</b>		Lbs	5270	3040	*2060	*1520	*1170	*890	<b>A</b> 
		ft/in"	4'9"	8'2"	11'11"	15'8"	19'5"	23'0"	
<b>2S</b>		Lbs	4970	2890	2040	*1520	*1170	*890	
		ft/in"	5'0"	8'6"	11'11"	15'8"	19'5"	23'0"	
<b>3S</b>		Lbs	4700	2760	1930	1490	*1170	*890	
		ft/in"	5'3"	8'8"	12'2"	15'8"	19'5"	23'0"	
<b>4S</b>		Lbs	4430	2610	1830	1400	1150	*890	
		ft/in"	5'6"	8'11"	12'5"	15'11"	19'5"	23'0"	

\* Manually extendable extension optional

SPECIFICATIONS	1S	2S	3S	4S
Number of Extensions	1-Hydraulic	2-Hydraulic	3-Hydraulic	4-Hydraulic
Crane Rating (ft. lbs.)	25,000	25,000	25,000	25,000
Max. Horizontal Reach - hydraulic	8'2"	11'11"	15'8"	19'5"
Max. Vertical Reach - hydraulic	12'11"	16'4"	19'9"	23'6"
Max. Capacity (lbs.)	3040	2040	1490	1150
Crane Weight (lbs.)	660	740	820	880
Crane Dimensions	39"x68"x18"	41"x68"x18"	41"x68"x18"	41"x68"x18"
Mounting Space	3'5"x1'0"x6'8"	3'5"x1'0"x6'8"	3'5"x1'0"x6'8"	3'5"x1'0"x6'8"
Slewing Angle (degrees)	395	395	395	395
Oil Tank Capacity (gallons)	4.6	4.6	4.6	4.6
Max. oil flow (gpm)	2.6	2.6	2.6	2.6
Max. working pressure (psi)	2538	2538	2538	2538
Stabilizers	Optional	Optional	Optional	Optional

### STANDARD FEATURES

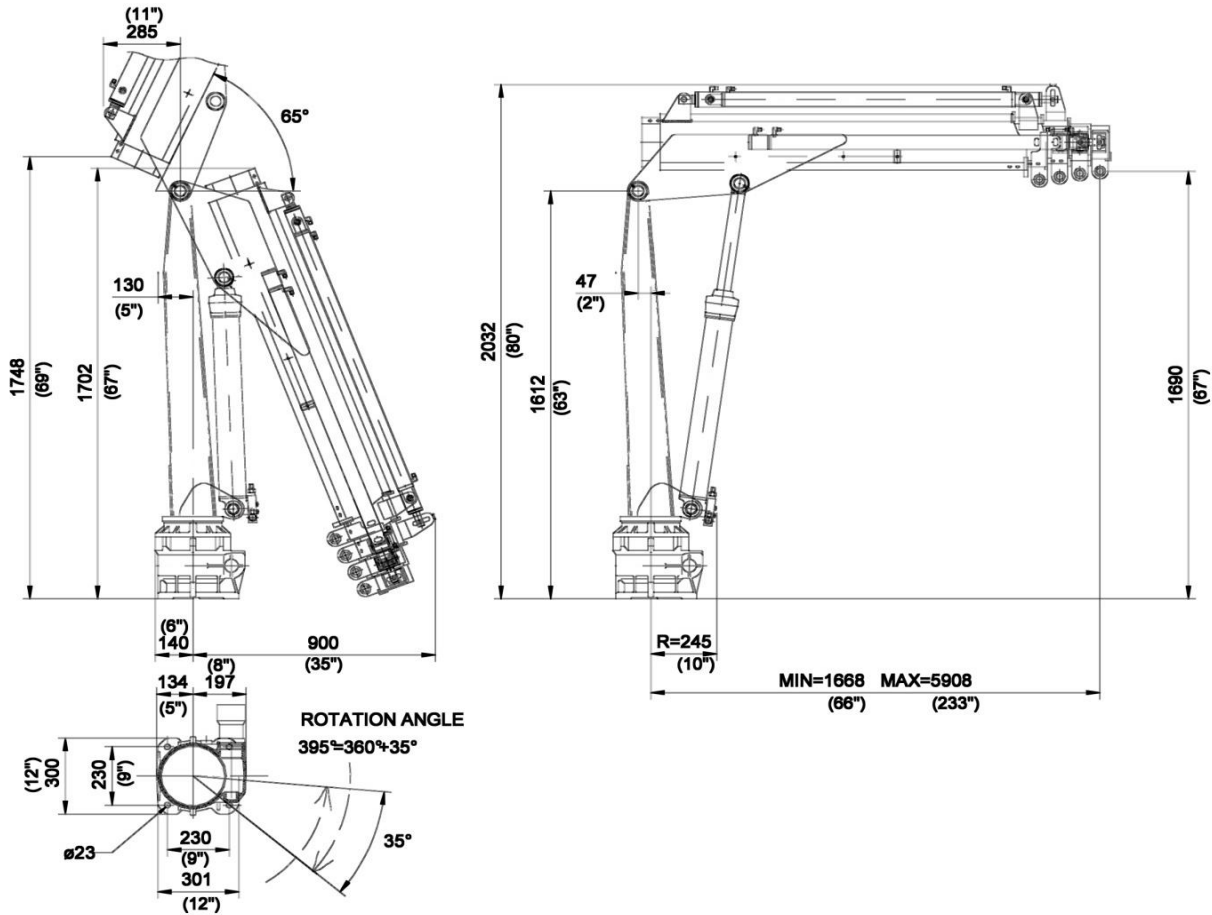
- Load limiting device
- Hexagonal section extensions
- Independent extension cylinders
- Designed in accordance with EN12999
- Control panel with customizable position
- ABS protective cover on controls
- Worm and gear rotation
- SAE and JIC fittings
- One year warranty

### ACCESSORIES

- Radio Remote Control
- Oil tank
- Supplementary elements activation
- Mechanical booms
- Electro-hydraulic powerpack
- Turning stabilizer legs
- Extra extendable stabilizers
- Manually opening stabilizers
- Tubular base for stabilizers

## DIMENSIONS

### 605T 4S



Rev. 06 (11/2012)

6 / 18

## SPECIAL FEATURES

*Optional* Radio Remote Control

*Optional* ETR Electric hydraulic power pack



### Radio Remote Control

The operator can control the crane with high precision proportional levers in every position, and in doing so, can supervise the loading and unloading operations. That means a time savings and greater safety. The operator can also control the truck engine start, stop and accelerator with the remote control. All of the remote controls used by AMCO VEBA have an identification code and are shielded from electro-magnetic fields and from external radio signals.

