



585 E. South Frontage Rd., Bolingbrook, IL - 60440 1-800-739-4430 • www.fischercrane.com • sales@fischercrane.com



## Amco Veba 604T - 4 tm available with up to 3 hydraulic extensions

### Easy to use

By having one less function and simpler geometry, the crane is easier to stow, unstow, and use. This makes it very suitable for occasional operators, companies with many operators, and for rental companies.

### Light

We omit the first boom found on an articulated version, as well as the offset second boom. Instead, we use an inline boom with extensions. This reduces the weight of the crane.

### Compact

Thanks to the design a "T" crane takes up less space on the chassis. The body can be built longer to add space for cargo.



REACH @ CAPACITY		Stabilizer Options									
<b>1S</b>	<p>Lbs ft'in"</p> <table border="1"> <tr> <td>4530</td> <td>2670</td> <td>1810</td> <td>1340</td> </tr> <tr> <td>4'4"</td> <td>7'5"</td> <td>10'8"</td> <td>13'11"</td> </tr> </table>	4530	2670	1810	1340	4'4"	7'5"	10'8"	13'11"	<p>A B D E F</p>	
4530	2670	1810	1340								
4'4"	7'5"	10'8"	13'11"								
<b>2S</b>	<p>Lbs ft'in"</p> <table border="1"> <tr> <td>4270</td> <td>2540</td> <td>1800</td> <td>1320</td> </tr> <tr> <td>4'7"</td> <td>7'7"</td> <td>10'8"</td> <td>13'11"</td> </tr> </table>	4270	2540	1800	1320	4'7"	7'7"	10'8"	13'11"		
4270	2540	1800	1320								
4'7"	7'7"	10'8"	13'11"								
<b>3S</b>	<p>Lbs ft'in"</p> <table border="1"> <tr> <td>4030</td> <td>2410</td> <td>1710</td> <td>1320</td> <td>1010</td> </tr> <tr> <td>4'10"</td> <td>7'10"</td> <td>10'11"</td> <td>13'11"</td> <td>17'1"</td> </tr> </table>	4030	2410	1710	1320	1010	4'10"	7'10"	10'11"	13'11"	17'1"
4030	2410	1710	1320	1010							
4'10"	7'10"	10'11"	13'11"	17'1"							

SPECIFICATIONS	1S	2S	3S
Number of Extensions	1-Hydraulic	2-Hydraulic	3-Hydraulic
Crane Rating (ft. lbs.)	19,700	19,700	19,700
Max. Horizontal Reach - hydraulic	7'5"	10'8"	13'11"
Max. Vertical Reach - hydraulic	11'9"	14'9"	17'8"
Max. Capacity (lbs.)	2670	1800	1320
Crane Weight (lbs.)	580	650	710
Crane Dimensions	29"x63"x18"	30"x63"x18"	30"x63"x18"
Mounting Space	2'6"x12"x6'3"	2'6"x12"x6'3"	2'6"x12"x6'3"
Slewing Angle (degrees)	335	335	335
Oil Tank Capacity (gallons)	4.6	4.6	4.6
Max. oil flow (gpm)	2.6	2.6	2.6
Max. working pressure (psi)	2320	2320	2320
Stabilizers	Optional	Optional	Optional

### STANDARD FEATURES

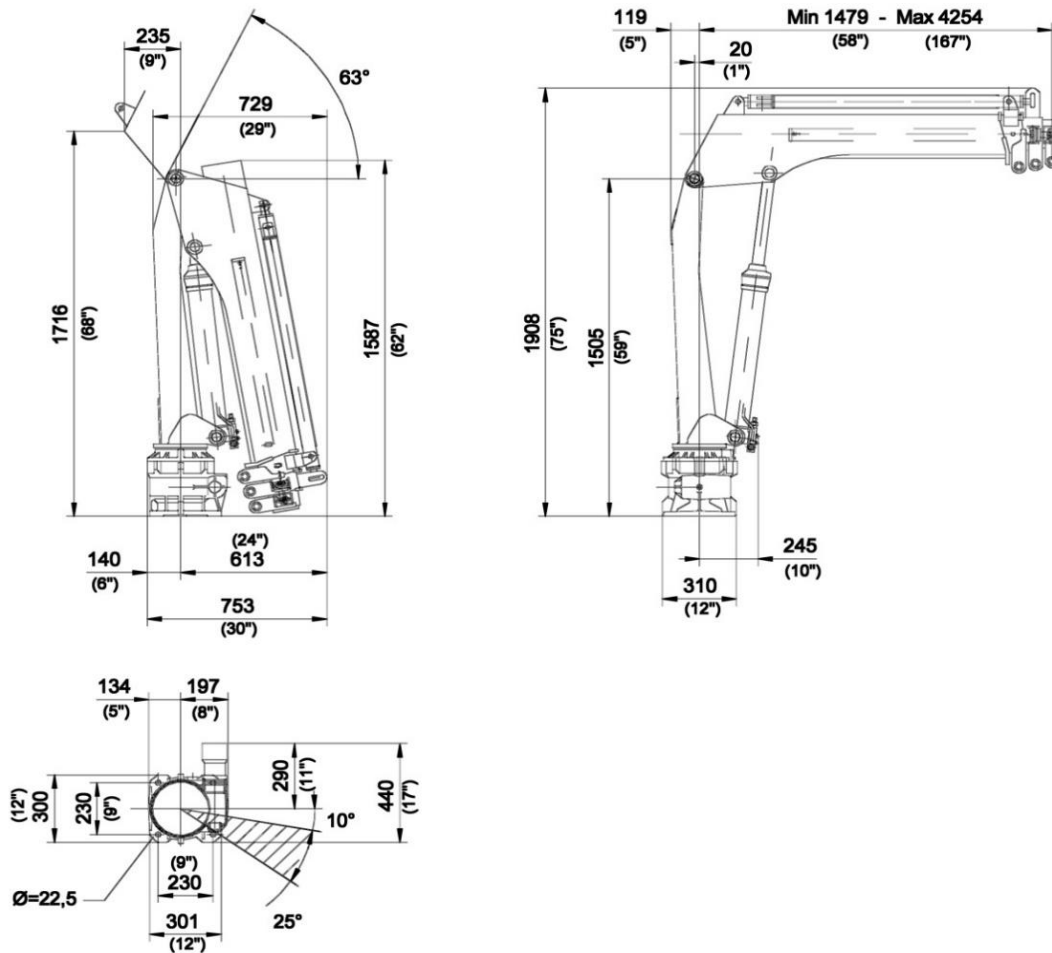
- Load limiting device
- Hexagonal section extensions
- Independent extension cylinders
- Designed in accordance with EN12999
- Control panel with customizable position
- ABS protective cover on controls
- Worm and gear rotation
- SAE and JIC fittings
- One year warranty

### ACCESSORIES

- Radio Remote Control
- Oil tank
- Supplementary elements activation
- Mechanical booms
- Electro-hydraulic power pack
- Turning stabilizer legs
- Extra extendable stabilizers
- Manually opening stabilizers
- Tubular base for stabilizers

## DIMENSIONS

### 604T 3S



Rev. 07 (11/2012)

4 / 17

## SPECIAL FEATURES

*Optional* Radio Remote Control

*Optional* ETR Electric hydraulic power pack



### Radio Remote Control

The operator can control the crane with high precision proportional levers in every position, and in doing so, can supervise the loading and unloading operations. That means a time savings and greater safety. The operator can also control the truck engine start, stop and acclerator with the remote control. All of the remote controls used by AMCO VEBA have an identification code and are shielded from electro-magnetic fields and from external radio signals.

