



585 E. South Frontage Rd., Bolingbrook, IL 60440 1-800-739-4430 • www.fischercrane.com • sales@fischercrane.com



Amco Veba 603T - 3 tm available with up to 3 hydraulic extensions

Easy to use

By having one less function and simpler geometry, the crane is easier to stow, unstow, and use. This makes it very suitable for occasional operators, companies with many operators, and for rental companies.

Light

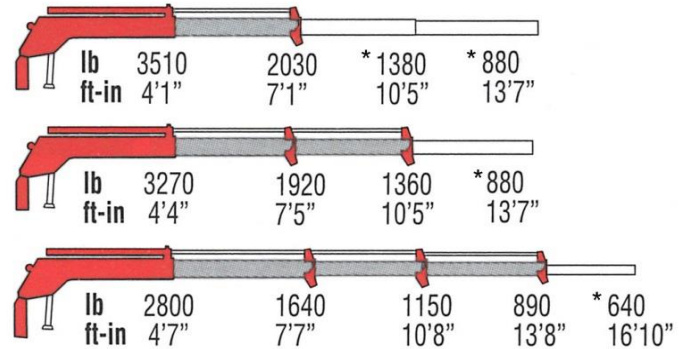
We omit the first boom found on an articulated version, as well as the offset second boom. Instead, we use an inline boom with extensions. This reduces the weight of the crane.

Compact

Thanks to the design a "T" crane takes up less space on the chassis. The body can be built longer to add space for cargo.

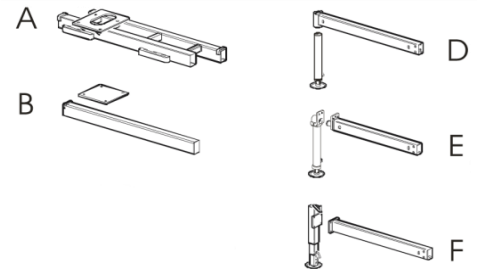


REACH @ CAPACITY



SPECIFICATIONS	1S	2S	3S
Number of Extensions	1-Hydraulic	2-Hydraulic	3-Hydraulic
Crane Rating (ft. lbs.)	14,400	14,400	14,400
Max. Horizontal Reach - hydraulic	7'1"	10'5"	13'8"
Max. Vertical Reach - hydraulic	11'8"	14'10"	17'11"
Max. Capacity (lbs.)	2030	1360	890
Crane Weight (lbs.)	480	530	580
Crane Dimensions	28"x61"x18"	28"x61"x18"	28"x61"x18"
Mounting Space	2'3" X 1'0" X 1'0"	2'3" X 1'0" X 1'0"	2'3" X 1'0" X 1'0"
Slewing Angle (degrees)	335	335	335
Oil Tank Capacity (gallons)	4.6	4.6	4.6
Max. oil flow (gpm)	2.1	2.1	2.1
Max. working pressure (psi)	2321	2321	2321
Stabilizers	Optional	Optional	Optional

STABILIZERS



STANDARD FEATURES

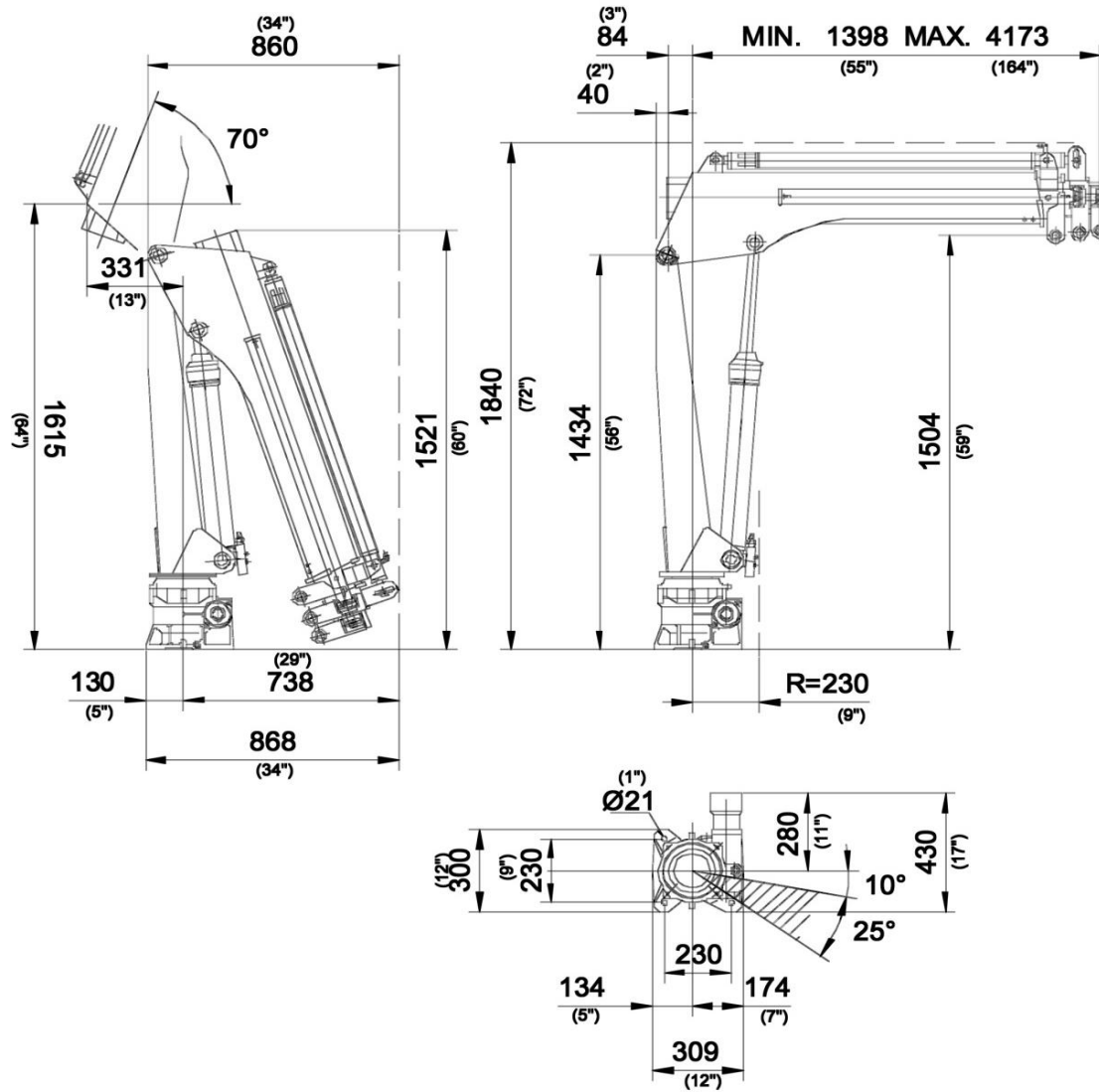
- Load limiting device
- Hexagonal section extensions
- Independent extension cylinders
- Designed in accordance with EN12999
- Control panel with customizable position
- ABS protective cover on controls
- Worm and gear rotation
- SAE and JIC fittings
- One year warranty

ACCESSORIES

- Radio Remote Control
- Oil tank
- Supplementary elements activation
- Mechanical booms
- Electro-hydraulic power pack
- Turning stabilizer legs
- Extra extendable stabilizers
- Manually opening stabilizers
- Tubular base for stabilizers

DIMENSIONS

603T 3S



Rev. 07 (11/2012)

4 / 17

SPECIAL FEATURES

Optional Radio Remote Control



Radio Remote Control

The operator can control the crane with high precision proportional levers in every position, and in doing so, can supervise the loading and unloading operations. That means a time savings and greater safety. The operator can also control the truck engine start, stop and accelerator with the remote control. All of the remote controls used by AMCO VEBA have an identification code and are shielded from electro-magnetic fields and from external radio signals.

Optional ETR Electric hydraulic power pack

