



585 E. South Frontage Rd., Bolingbrook, IL 60440 1-800-739-4430 • www.fischercrane.com • sales@fischercrane.com



## Amco Veba 602T - 2 tm available with up to 2 hydraulic extensions

### Easy to use

By having one less function and simpler geometry, the crane is easier to stow, unstow, and use. This makes it very suitable for occasional operators, companies with many operators, and for rental companies.

### Light

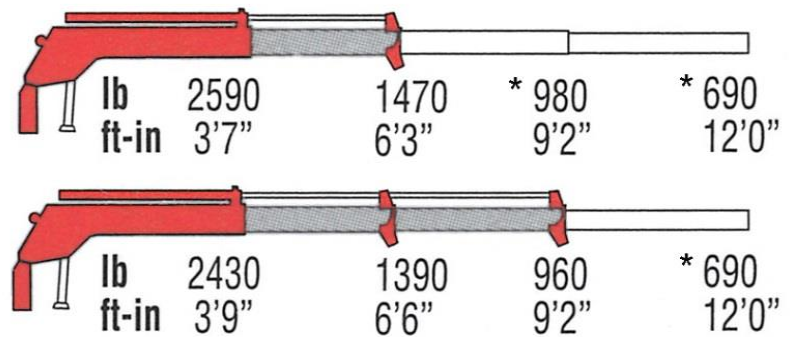
We omit the first boom found on an articulated version, as well as the offset second boom. Instead, we use an inline boom with extensions. This reduces the weight of the crane.

### Compact

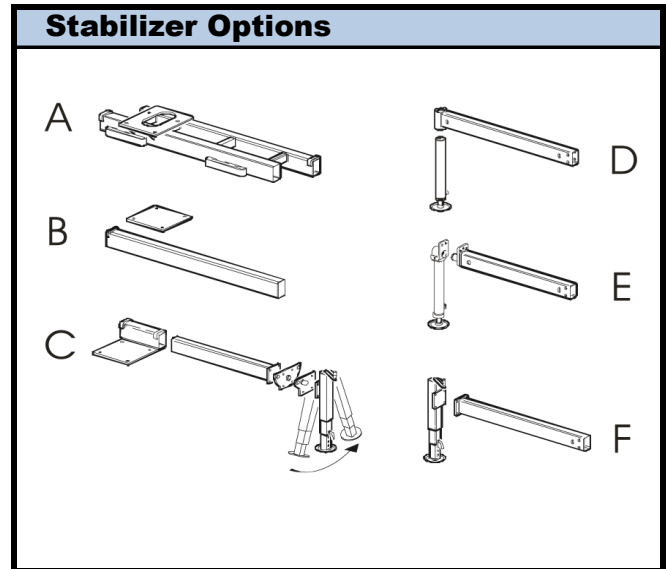
Thanks to the design a "T" crane takes up less space on the chassis. The body can be built longer to add space for cargo.



### REACH @ CAPACITY



SPECIFICATIONS	1S	2S
Number of Extensions	1-Hydraulic	2-Hydraulic
Crane Rating (ft. lbs.)	9,200	9,200
Max. Horizontal Reach - hydraulic	6'3"	9'2"
Max. Vertical Reach - hydraulic	9'11"	12'8"
Max. Capacity (lbs.)	1470	960
Crane Weight (lbs.)	380	430
Crane Dimensions	25"x49"x18"	27"x49"x18"
Mounting Space	2'2"x1'3"x5'2"	2'2"x1'3"x5'2"
Slewing Angle (degrees)	335	335
Oil Tank Capacity (gallons)	4.6	4.6
Max. oil flow (gpm)	2.1	2.1
Max. working pressure (psi)	2321	2321
Outrigger Extension	Optional	Optional



### STANDARD FEATURES

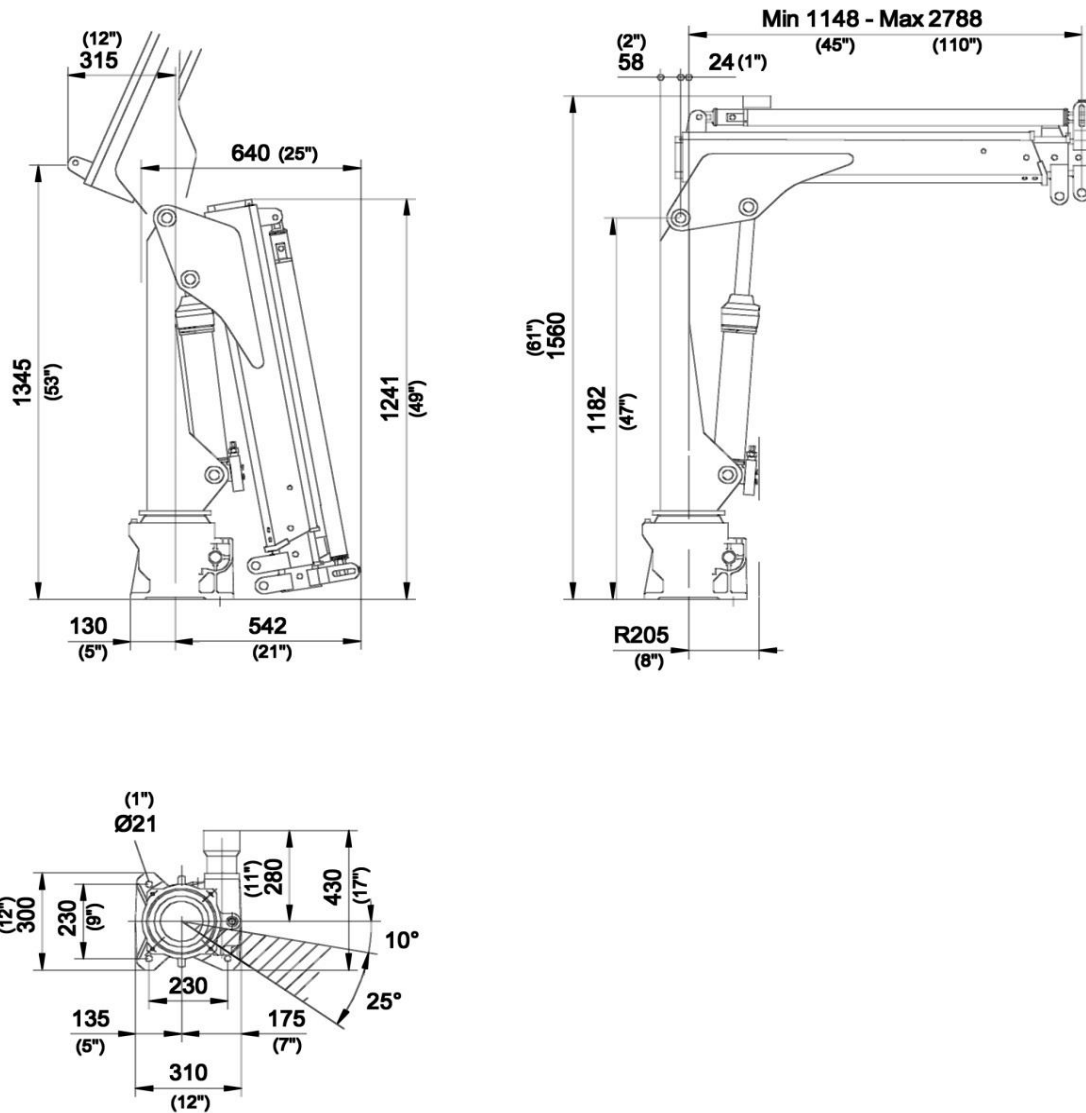
- Load limiting device
- Hexagonal section extensions
- Independent extension cylinders
- Designed in accordance with EN12999
- Control panel with customizable position
- ABS protective cover on controls
- Worm and gear rotation
- SAE and JIC fittings
- One year warranty

### ACCESSORIES

- Radio Remote Control
- Oil tank
- Supplementary elements activation
- Mechanical booms
- Electro-hydraulic power pack
- Turning stabilizer legs
- Extra extendable stabilizers
- Manually opening stabilizers
- Tubular base for stabilizers

## DIMENSIONS

### 602T 2S



Rev. 06 (11/2012)

3 / 15

## SPECIAL FEATURES

*Optional* Radio Remote Control



### Radio Remote Control

The operator can control the crane with high precision proportional levers in every position, and in doing so, can supervise the loading and unloading operations. That means a time savings and greater safety. The operator can also control the truck engine start, stop and accelerator with the remote control. All of the remote controls used by AMCO VEBA have an identification code and are shielded from electro-magnetic fields and from external radio signals.

*Optional* ETR Electric hydraulic power pack

