
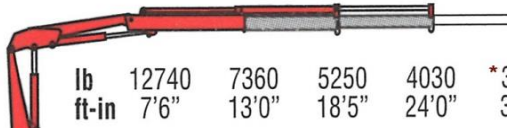
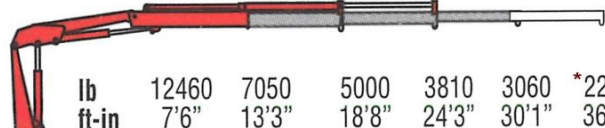




Amco Veba 115 - 15 tm available with up to 3 hydraulic extensions



REACH @ CAPACITY						
1S		lb ft-in	13120 7'6"	7720 12'9"	5530 18'2"	*4030 24'0"
2S		lb ft-in	12740 7'6"	7360 13'0"	5250 18'5"	4030 24'0" *3060 30'1"
3S		lb ft-in	12460 7'6"	7050 13'3"	5000 18'8"	3810 24'3" 3060 30'1" *2250 36'5"
* Manually extendable extension optional						

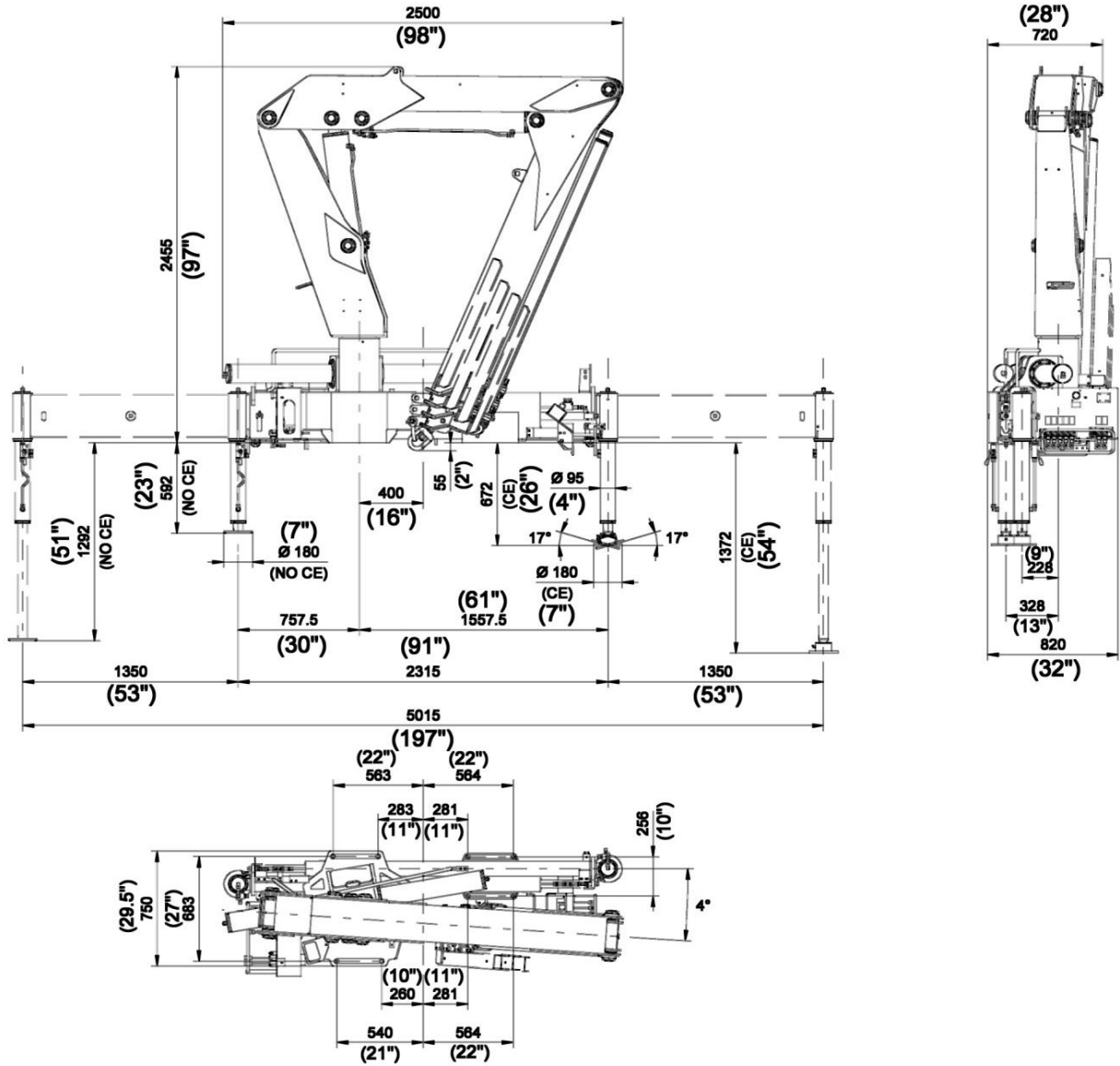
SPECIFICATIONS	1S	2S	3S
<i>Number of Extensions</i>	1-Hydraulic	2-Hydraulic	3-Hydraulic
<i>Crane Rating (ft. lbs.)</i>	101,000	101,000	101,000
<i>Max. Horizontal Reach - hydraulic</i>	18'2"	24'0"	30'1"
<i>Max. Vertical Reach - hydraulic</i>	31'4"	37'1"	41'8"
<i>Max. Capacity (lbs.)</i>	5530	4030	3060
<i>Crane Weight (lbs.)</i>	3550	3800	4030
<i>Crane Dimensions</i>	99"x97"x33"	99"x97"x33"	99"x97"x33"
<i>Mounting Space</i>	7'7"x8'1"x2'8"	7'7"x8'1"x2'8"	7'7"x8'1"x2'8"
<i>Slewing Angle (degrees)</i>	380	380	380
<i>Oil Tank Capacity (gallons)</i>	26.4	26.4	26.4
<i>Max. oil flow (gpm)</i>	6.6	6.6	6.6
<i>Max. working pressure (psi)</i>	4130	4130	4130
<i>Stabilizers manual out</i>	16'5"	16'5"	16'5"

STANDARD FEATURES
<i>Dual side controls</i>
<i>Hexagonal extension cylinders</i>
<i>Sliding pads on telescopic extensions</i>
<i>Flanged Valves</i>
<i>Self lubricating bushings</i>
<i>Oil tank</i>
<i>Din and JIC fittings</i>
<i>Designed in accordance with EN 12999</i>
<i>Fatigue test classifications: B3</i>
<i>Rack and pinion rotation</i>
<i>Manually extendable stabilizers</i>
<i>One year warranty</i>

OPTIONS
<i>Load limiting device</i>
<i>Supplementary elements activation</i>
<i>Green Oil</i>
<i>Winch</i>
<i>Winch plate</i>
<i>Extra function for winch</i>

DIMENSIONS

115 3S



SPECIAL FEATURES



Compact - A new design and an inline boom have allowed us to produce a crane that is much more compact
Light - The inline boom reduces the crane's weight. The use of special steel allows an excellent lift to weight ratio. A lighter crane equates to a greater payload on the vehicle.

Strong - A traditional boom is very stressed at the boom offset, so it must be heavily reinforced. Our inline design make the torsional stress no longer a factor.

Modular - to allow the crane to fit a variety of chassis, we have added a sliding bracket for width from 1' 6" to 3' 6"